

# alora mood

P. 1.855.855.8926

CANADA: 19054 28TH Avenue Surrey - BC V3Z 6M3

USA: 3035 E. Lone Mountain Rd - Las Vegas, NV, 89081

## NORA FM537508



FIXTURE DIMENSIONS	D8" x H7-1/2"
LAMP TYPE	E26
MAX WATTAGE	60W
BULB QTY	1
BULBS INCLUDED	No
VOLTAGE	120V
GLASS DETAILS	Opal Glass
MATERIAL	Glass; Steel;
LOCATION	Dry
BRAND	Alora Mood

[ D - Diameter, L - Length, W - Width, H - Height, E - Extension ]

### AVAILABLE FINISHES:



FM537508AGOP  
Aged Gold/Opal  
Matte Glass

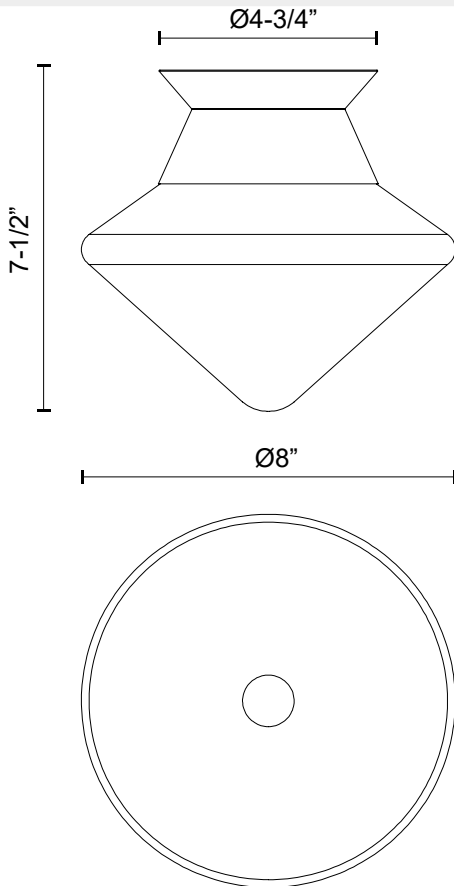


FM537508BNOP  
Brushed  
Nickel/Opal Matte  
Glass



FM537508MBOP  
Matte Black/Opal  
Matte Glass

\*For complete warranty terms, please visit: [www.aloralighting.com/warranty](http://www.aloralighting.com/warranty)



WWW.ALORAMOOD.COM

© 2022 KUZCO LIGHTING. ALL RIGHTS RESERVED.

