

Avanity

THOMPSON-V60-CL
THOMPSON-V60-FW

Features

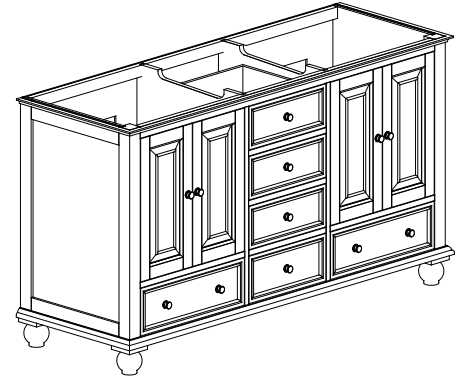
- Solid poplar frame, plywood drawer and MDF
- 4 soft-close doors
- 5 soft-close drawers
- Black bronze finish hardware
- Adjustable height levelers

Colors / Finishes

- Charcoal Glaze
- French White

Nominal Dimension

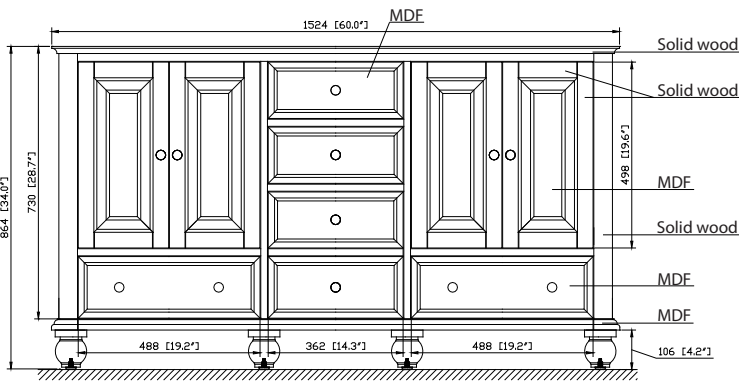
- 60W x 21D x 34H (inches)



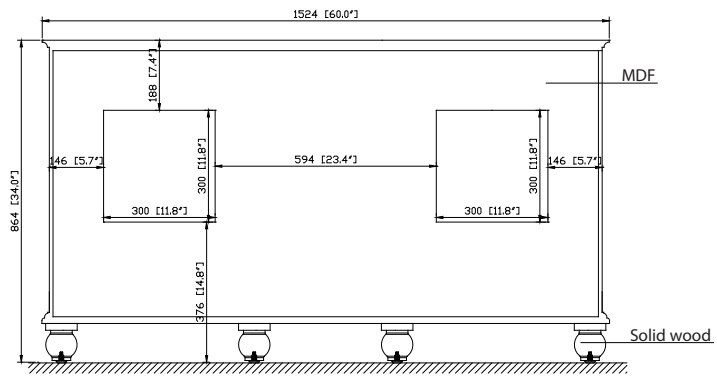
Related Items

| | | | |
|-------------|------------------|------------------|---------|
| Mirror | THOMPSON-M24-CL | THOMPSON-M24-FW | |
| | THOMPSON-M28-CL | THOMPSON-M28-FW | |
| Vanity Top | SUT61BK | SUT61GB | SUT61CW |
| | | | |
| Sink | CUM18WT | CUM18LN | |
| Linen Tower | THOMPSON-LT24-CL | THOMPSON-LT24-FW | |

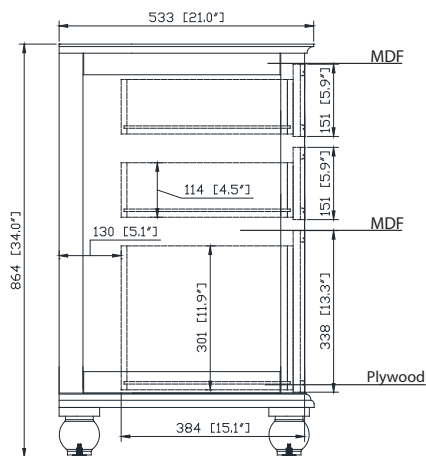
Product Diagrams



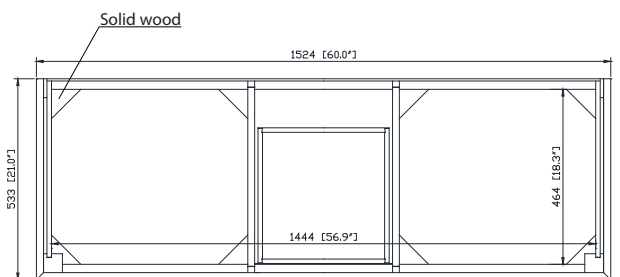
Front



Back



Side



Top

For customer support please call 866 522 5578 weekdays 9:00 to 6:00 PST



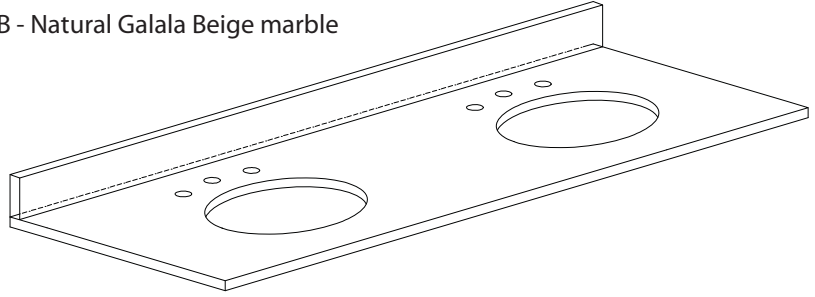
SUT61BK / SUT61CW / SUT61GB

Features

- Top cutout for dual undermount sinks
- Top pre-drilled for 8" widespread faucet
- 4" backsplash included

Colors / Finishes

- BK - Natural Black Granite
- CW - Natural Carrera White marble
- GB - Natural Galala Beige marble



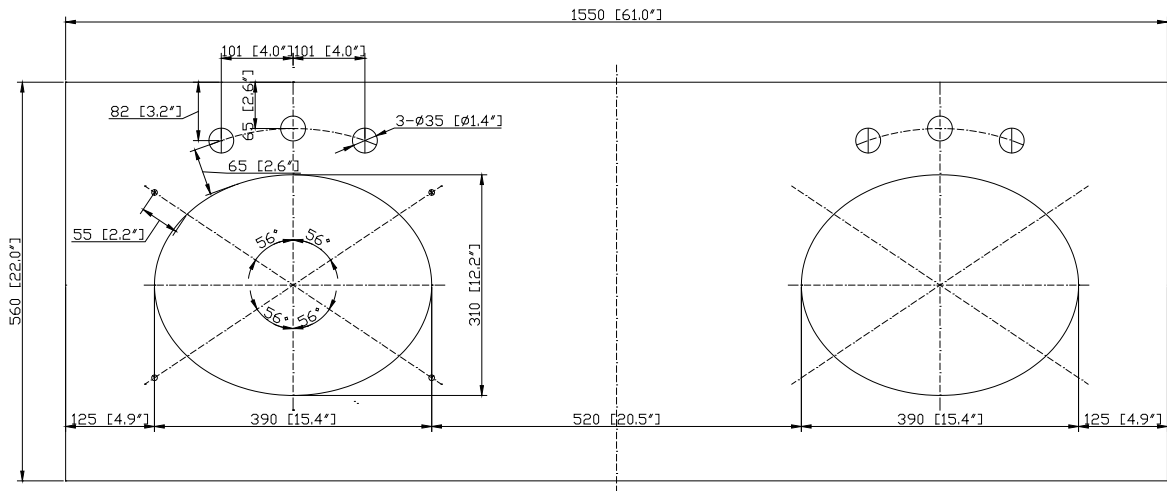
Nominal Dimension

- 61W x 22D x 1H inches
- 1550 x 560 x 25 mm

Related Items

| | | | |
|--------|--------------|---------------|--------------|
| Sink | CUM18WT | CUM18LN | |
| Vanity | BROOKS-V60 | BRENTWOOD-V61 | |
| | HAMILTON-V60 | LEXINGTON-V60 | MADISON-V60 |
| | MODERO-V60 | TRIBECA-V60 | THOMPSON-V60 |

Product Diagrams



Top



Side



CUM18LN / CUM18WT

Features

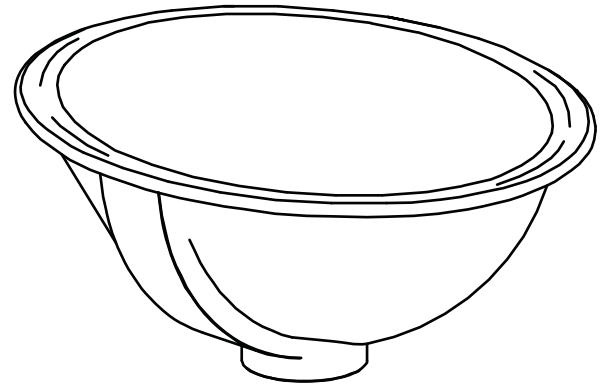
- Vitreous China
- Undermount application
- 1.8 in. drain opening
- Overflow outlet

Colors / Finishes

- LN - Linen
- WT - White

Nominal Dimension

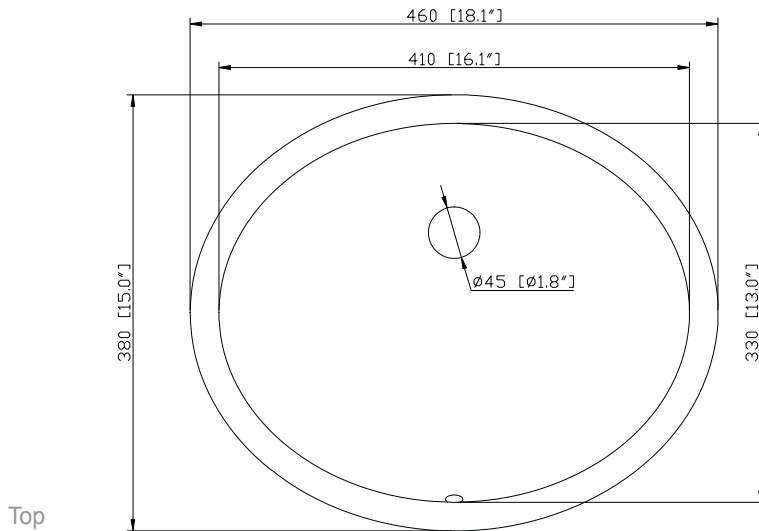
- 18.1W x 15D x 7.9H inches
- 458 x 380 x 200 mm



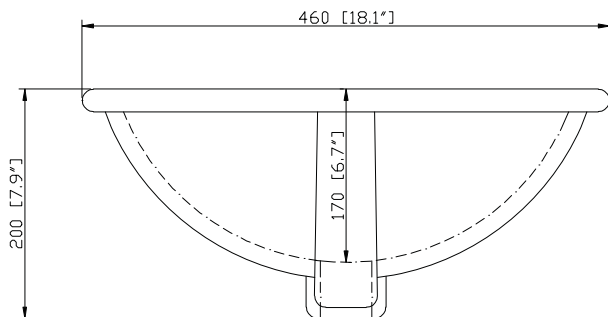
Components

| Drain | VC-DRAIN-CP | VC-DRAIN-BN | | | | | |
|------------|-------------|-------------|---------|---------|---------|---------|---------|
| Vanity Top | SUT25BK | SUT25CW | SUT25GB | SUT31BK | SUT31CW | SUT31GB | SUT37BK |
| | SUT37GB | SUT37CW | SUT49CW | SUT49GB | SUT49BK | SUT61BK | SUT61CW |
| | SUT61GB | SUT73BK | SUT73CW | SUT73GB | | | |

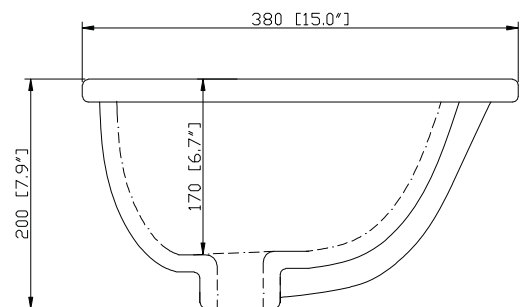
Product Diagrams



Top



Front



Side