

67" MAXMILLIAN CAST IRON DOUBLE SLIPPER

Cat. No.
CTDSN67



L: 67-1/2"
W: 32"
H: 27" (from floor to top of tub)
25" (from floor to center of tub)

Water depth: 19-1/2" to top of tub
Water depth: 13-3/4" to overflow
Bottom of drain to center of rim: 20"

The following is recommended for CTDSN tubs without faucet holes:

- Faucets: part #4602, 4604 7082
- Rigid, freestanding supplies: part #4502
- Leg tub drain: part #5599

Gallon Capacity: 33
Shipping Weight: 370 lbs.
Empty Weight: 320 lbs.
Filled Weight: 596 lbs

Features:

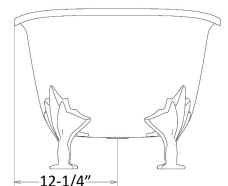
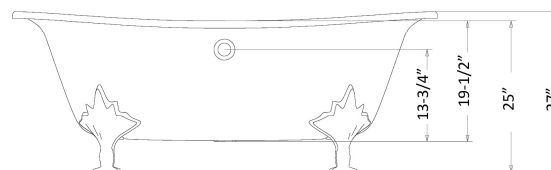
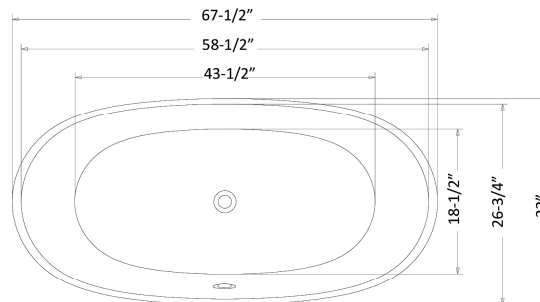
- ▶ Inside finish is white enamel
- ▶ Cast Iron leaf feet
- ▶ Tub exterior is white
- ▶ No faucet holes
- ▶ Pre-drilled overflow hole
- ▶ Continuous rolled rim
- ▶ Feet are attached and leveled before shipment
- ▶ Tub is thoroughly inspected before shipment

Foot Finishes:

BN Brushed Nickel	PN Polished Nickel
CP Polished Chrome	WH Painted White
ORB Oil Rubbed Bronze	UF Unfinished
PB Polished Brass	



Custom Colors Available (inside of tub is always white enamel):
Painted bathtubs are considered "special order" and are not returnable
\$160 Bisque or Black \$250 Designer Color



Dimensions and specifications subject to change without notice.

08/07/2019

P 847•244•1234

www.barclayproducts.com