

**36" BRANDI DOUBLE
BOWL FARMER SINK**

Cat. No
FSGDB4544



W: 36"
D: 20"
H: 10"

***Please do NOT cut hole without
template or actual product.**

Interior Dimensions:

Large

Basin Interior: 18" W x 17" D
Basin Depth: 8"

Small

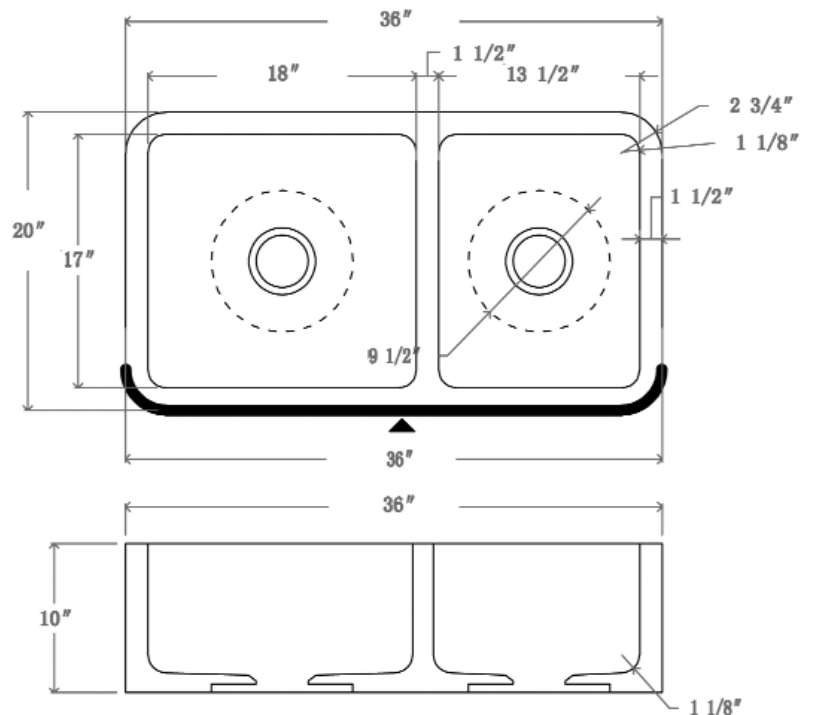
Basin Interior: 13-1/2" W x 17" D
Basin Depth: 8"

Features:

- ▶ Crafted from natural granite
- ▶ Polished back and sides
- ▶ Each individual stone sink is unique and varies
- ▶ Standard 3-1/2" drain opening fits most drains and disposals
- ▶ We recommend sealing with StoneTech sealer before use
- ▶ Optional **UMSPT** support sold separately
- ▶ Unpolished naturally chiseled apron front
- ▶ No faucet holes
- ▶ Flange extension required

Finishes:

GPBG Polished Blue-Gray Granite
GPBL Polished Black Granite



Dimensions of fixture are nominal and may vary slightly. Dimensions and specifications subject to change without notice.