



California Faucets®

Descanso™

SINGLE POST TOILET PAPER / HAND TOWEL HOLDER

Features

- Solid brass construction
- Includes all mounting hardware
- Over 30 finishes including 15 PVD finishes

**30-STP
30K-STP**

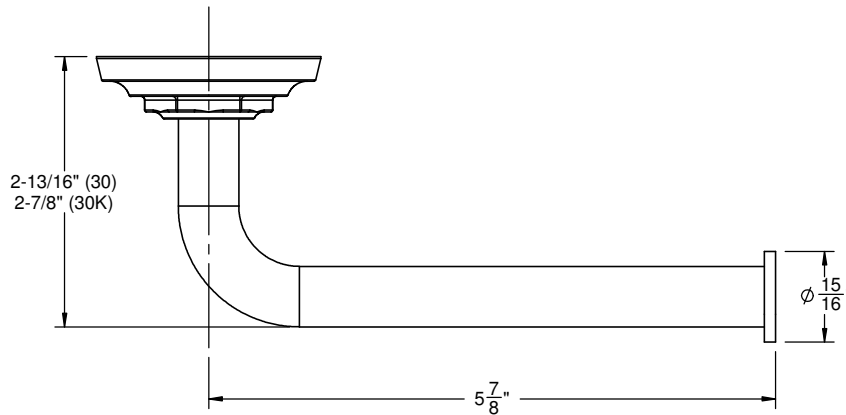
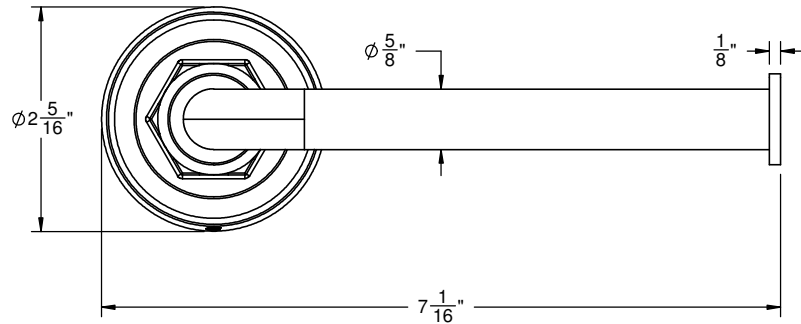


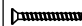

(30K-STP SHOWN)

Codes/Standards

Product meets or exceeds the following:

- None applicable



-  (2X) 8 x 1-1/2" PHILLIPS HEAD SCREW
-  (2X) 3/8" - 1/2" WALL ANCHOR