

CRYSTORAMA

1958

95 Cantiague Rock Road, Westbury NY 11590

Ph: 516.931.9090 Fax: 516.931.1254

info@crystorama.com www.crystorama.com

MODEL #: 2030-AG ASSEMBLY AND DRESSING INSTRUCTIONS

WARNING

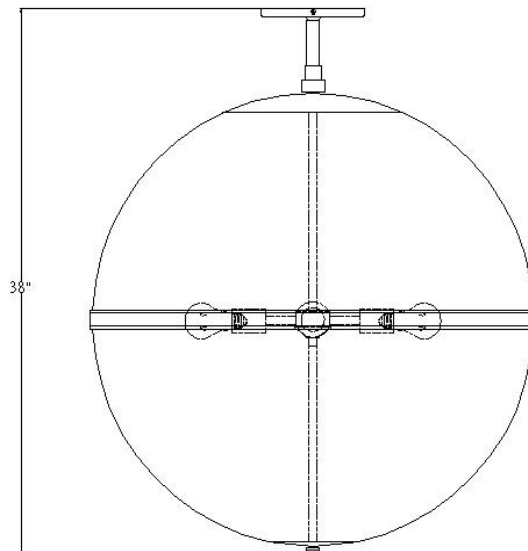
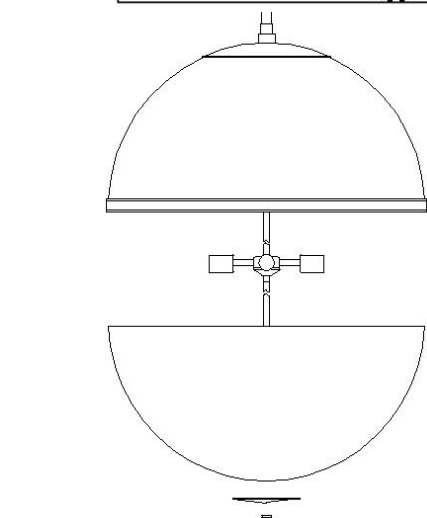
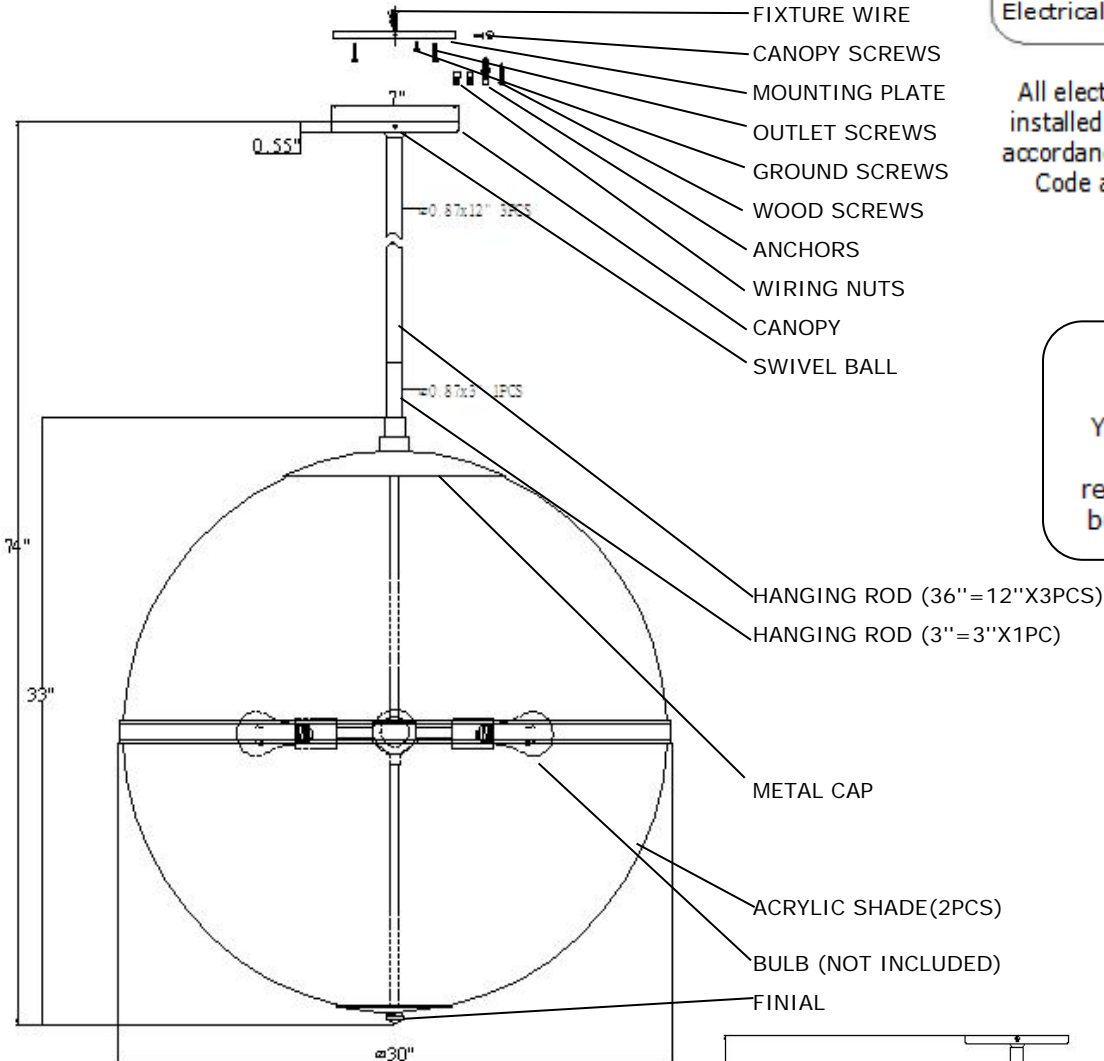


Electrical Danger Turn Power Off

All electrical components must be installed by a licensed electrician in accordance with the National Electric Code and the appropriate local electrical codes.



You will need 4 Medium bulbs 75 watts recommended (used LED bulbs for extended use)



NOTICE: TO REPLACE THE BULB, PLEASE UNSCREW THE BOTTOM FINIAL FROM BOTTOM METAL CAP AS SHOWN ABOVE