

CRYST RAMA



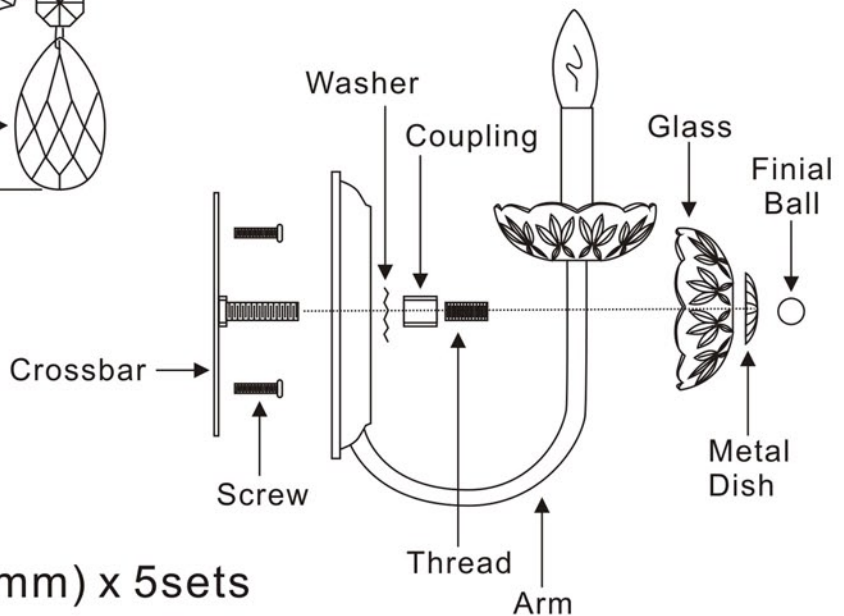
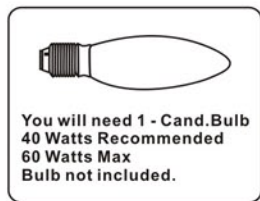
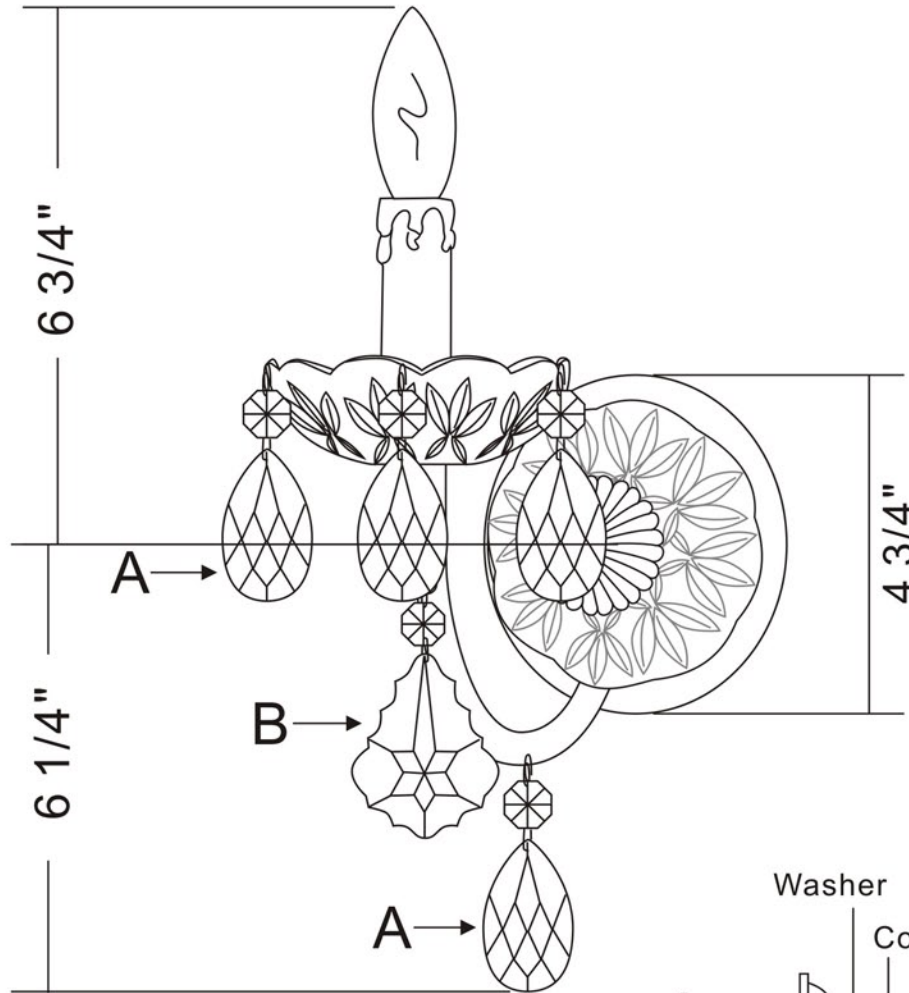
1958

95 Cantiague Rock Road, Westbury NY 11590
 ph: 516.931.9090 fax: 516.931.1254
 info@crystorama.com www.crystorama.com

MODEL#: 3221 ASSEMBLY AND DRESSING INSTRUCTIONS



WARNING:
 Electrical Danger Turn Power Off
 All electrical components must be installed by a licensed electrician in accordance with the National Electric Code and the appropriate local electrical codes.



A = (14mm+38mm) x 5sets

B = (14mm+76mm) x 1sets