

# CRYST RAMA



1958

95 Cantiague Rock Road, Westbury NY 11590

ph:516.931.9090 fax: 516. 931.1254

info@crystorama.com www.crystorama.com

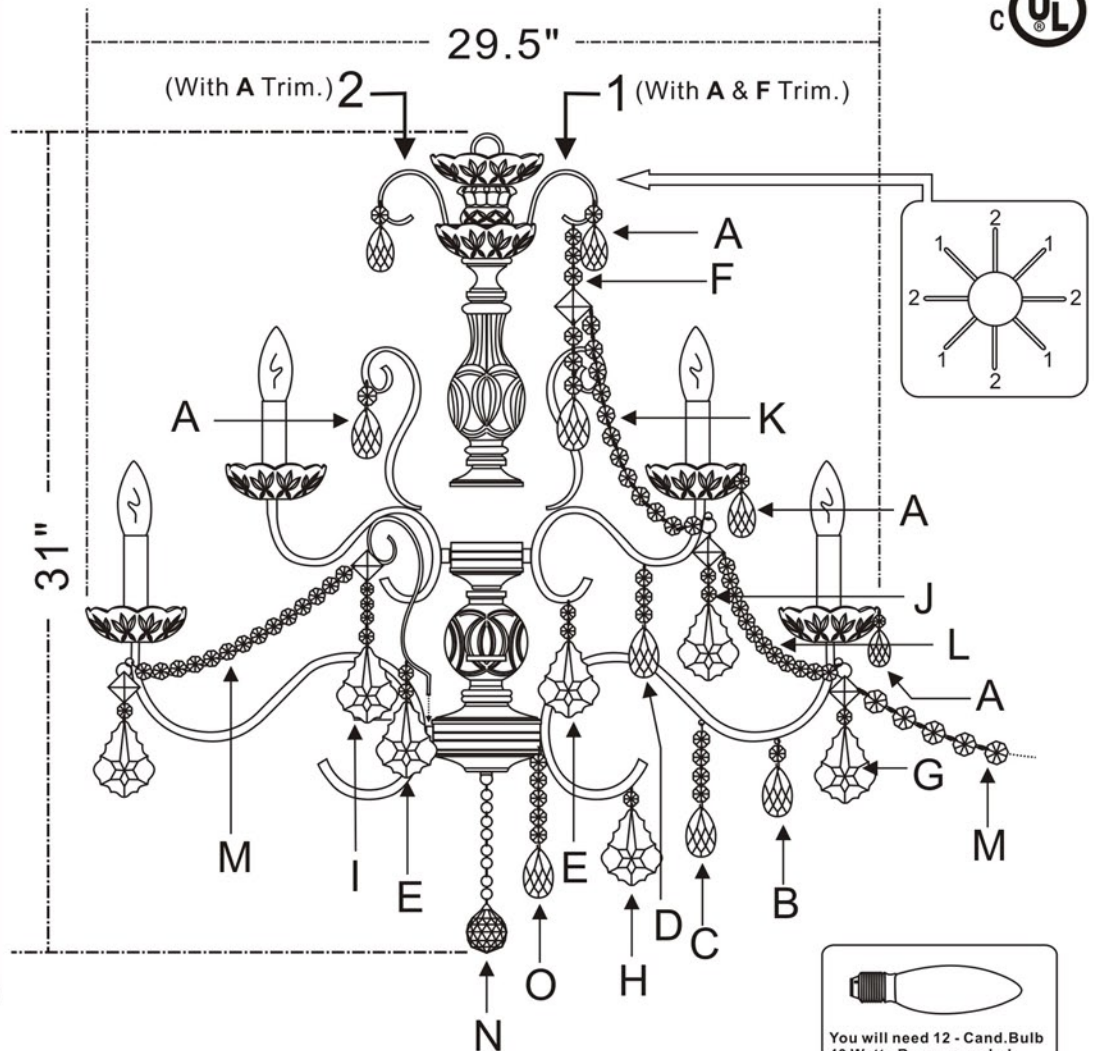
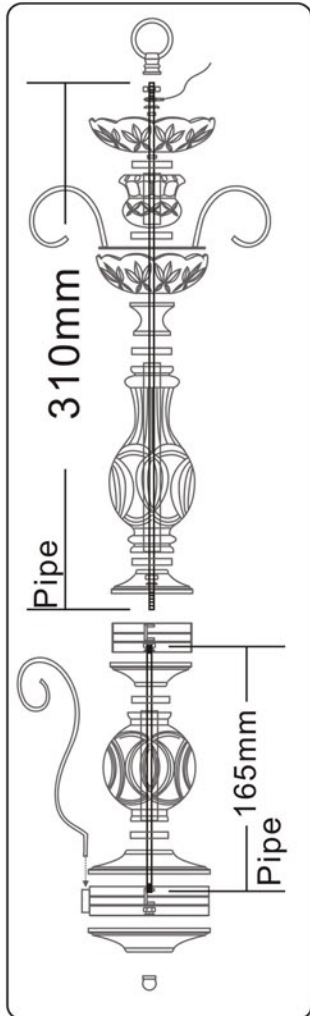
**MODEL#:3228**

**ASSEMBLY AND DRESSING INSTRUCTIONS**

**WARNING:**

Electrical Danger Turn Power Off

All electrical components must be installed by a licensed electrician in accordance with the National Electric Code and the appropriate local electrical codes.



- A= (14mm+38mm)X72sets
- B= (14mm+50mm)X8sets
- C= (14mmX4+50mm)X8sets
- D= (14mmX3+50mm)X8sets
- E= (14mmX2+76mm)X8sets
- F= (14mmX3pcs+18mm+14mmX3pcs+50mm)X4sets
- G= (22mm+14mm+76mm)X8sets

- H= (22mm+76mm)X8sets
- I= (22mm+14mmX4pcs+76mm)X4sets
- J= (22mm+14mmX2+76mm)X4sets
- K= (14mmX16)X8set
- L= (14mmX12)X8set
- M= (14mmX14)X16set
- N= (10mmX8+40mm)X1pc
- O= (14mmX5+50mm)X6sets