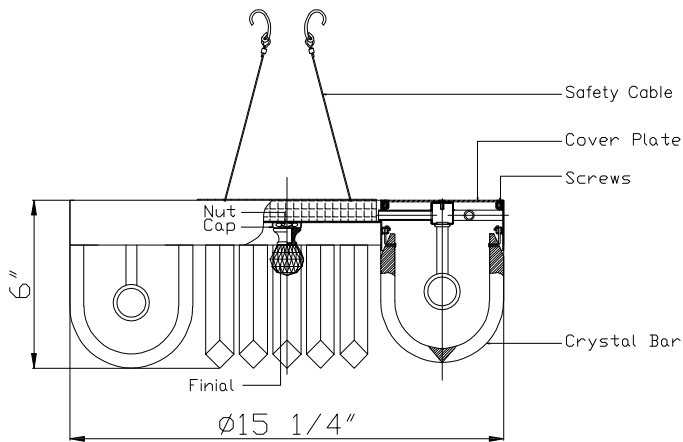


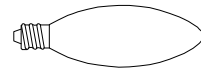
# CRYSTORAMA

LIGHTING THE WAY FOR SIXTY YEARS

## ASSEMBLY INSTRUCTION MODEL #ALI-B2005-CZ

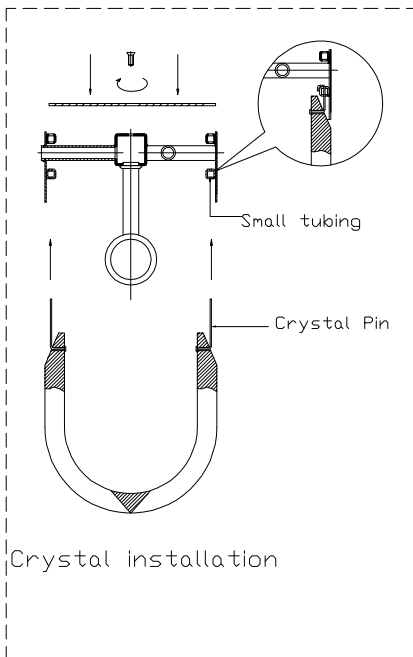


All electrical components must be installed by a licensed electrician in accordance with the National Electric Code and the appropriate local electrical codes.



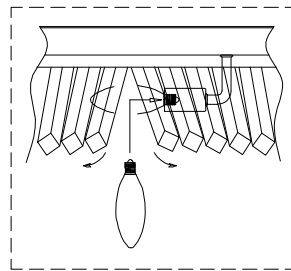
You will need 5 - Cand. Bulb  
40 Watts Recommended  
60 Watts Max

USE LED BULBS FOR EXTENDED USE  
This fixture is DAMP rated



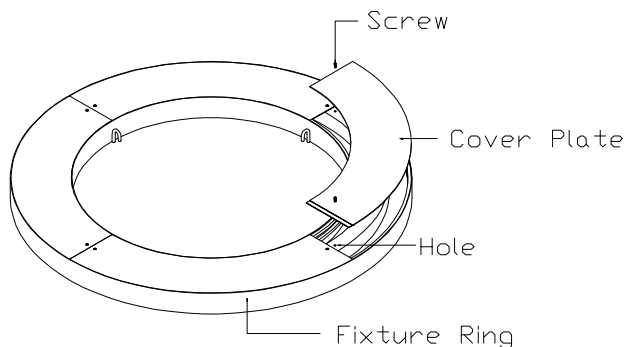
### Changing bulb

Gently spread two crystals bars apart, to access the bulb sockets.



### How to Install

1. Attach the mounting strap onto the outlet box using the machine screws.
2. Hook the fixture frame onto the mounting strap using the safety cable attached onto the canopy.
3. Take the cover plate on the fixture ring off by removing the screws.
4. Pass the crystal pin through the crystal bar and raise it up and let the pin pass through the small tubing inside the ring, then bend the pin over to secure the crystal. See illustration.
5. Install the bulb and put the cover plate back and secure it with screws.
6. Attach the frame onto the outlet box and secure it with the hex nut.
7. Put the cap over and secure it with crystal finial, Please do not overtighten the crystal finial to avoid it from breakage.

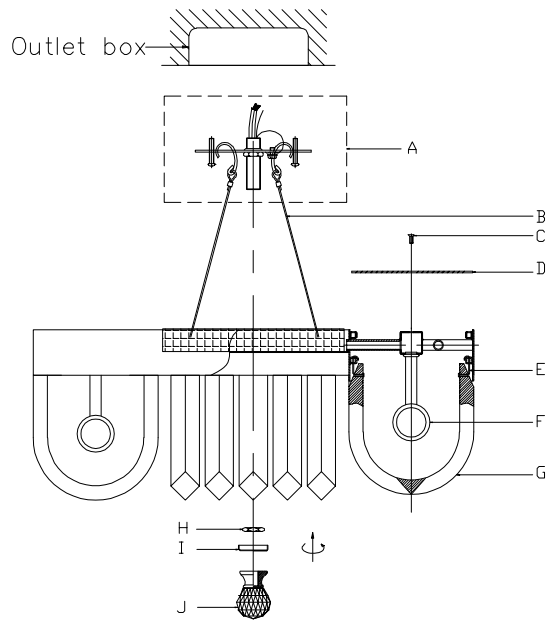


WARNING: This product can expose you to Lead, which is known to the State of California to cause cancer and/or birth defects or reproductive harm. For more information go to [www.P65Warnings.ca.gov](http://www.P65Warnings.ca.gov)

# CRYSTORAMA

LIGHTING THE WAY FOR SIXTY YEARS

**PART NUMBER** MODEL #ALI-B2005-CZ



## Part Number

Part Numbers

- A. (1)–Mounting hardware;
- B. (2) Safety cable
- C. (6)–Screw;
- D. (3)–Cover Plate; 4.25"X13";
- E. (72)–Pin;
- F. (5)–Socket;
- G. (36)–Crystal Bar;
- H. (1)–Nut;
- I. (1)–Cap;
- J. (1)–Finial; #XSU2005CZFIN

