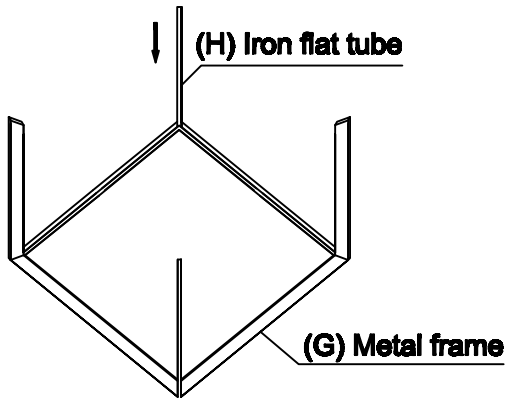
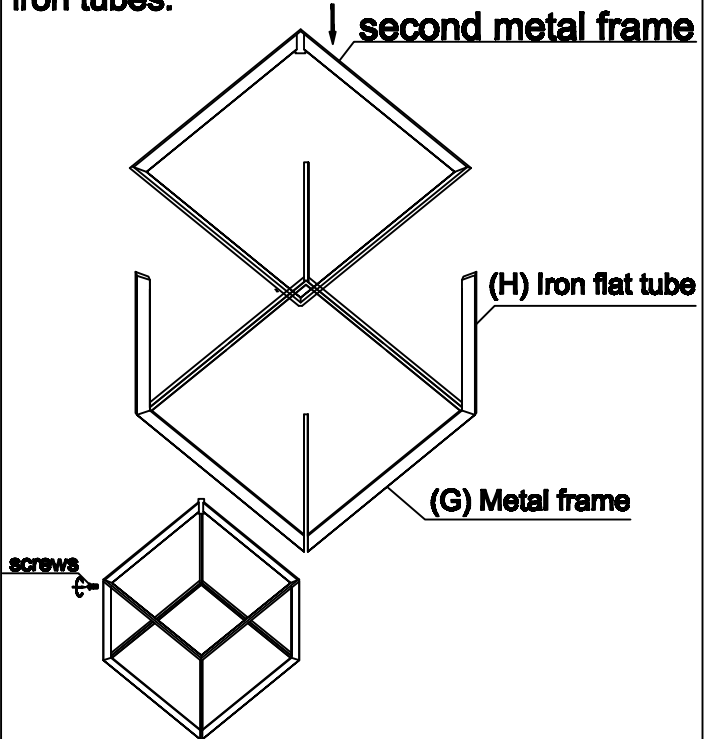


**STEP 2-How to install the iron frame**

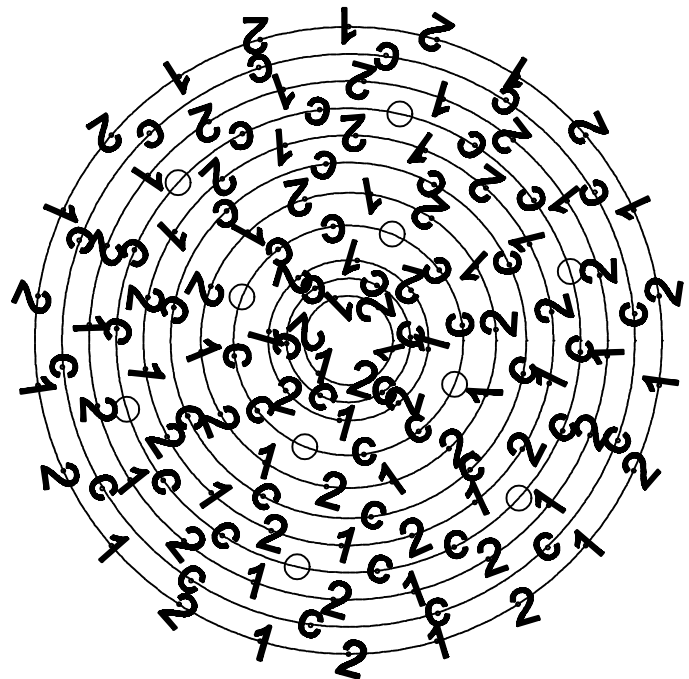
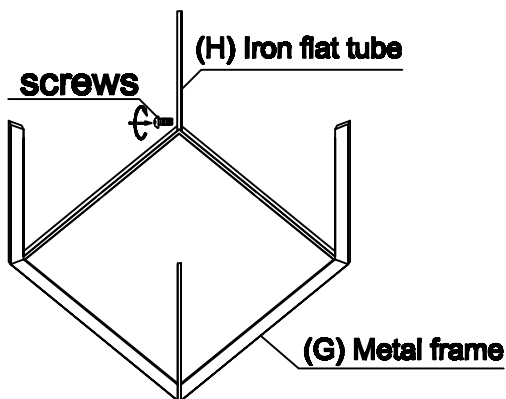
**A.Lay metal frame flat and attach the 4 iron flat tubes to Metal frame.**



**C.Lay the second metal frame on top, lining up the holes with the already attached flat iron tubes.**



**B.Secure with screws from the side.**



**vertical view**