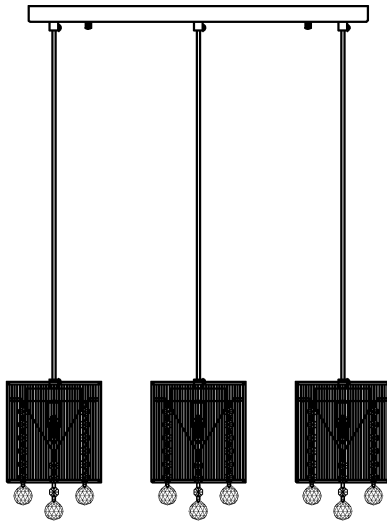


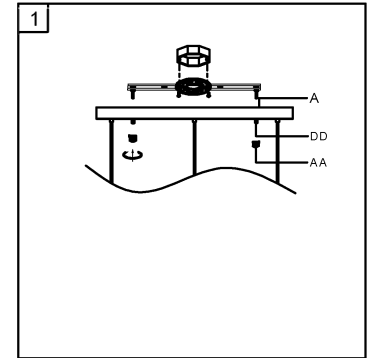
Trade Mark:
CRYSTAL WORLD INC

Product Name: Pendant lamp
Model :5062P24C-RC
120Vac, 60Hz,AC ONLY
Lamp Size:L24"*W6"*9"H-59"H



PENDANT LAMP ASSEMBLY INSTRUCTIONS

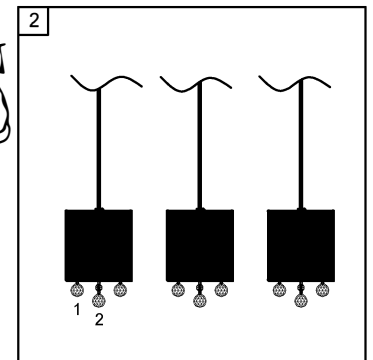
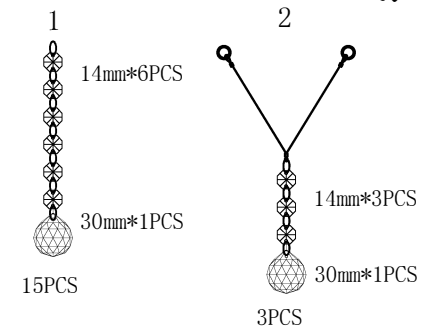
1. Place fixture(A) onto mounting screws (DD).secure with cap nuts (AA).



Hardware Used

AA Cap nut  X 2
DD Mounting screw  X 2

2. Please hang the crystal (1) (2) to the fixture .



3. Install light bulbs (not included).
Use bulb
120V G9 3*40W Max.

