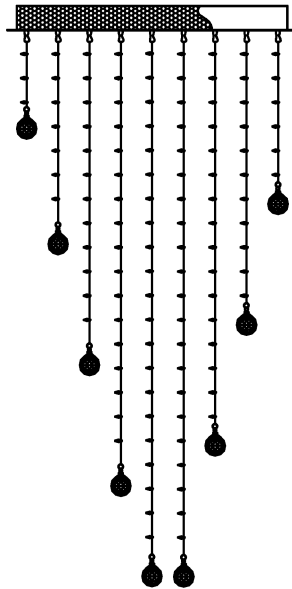


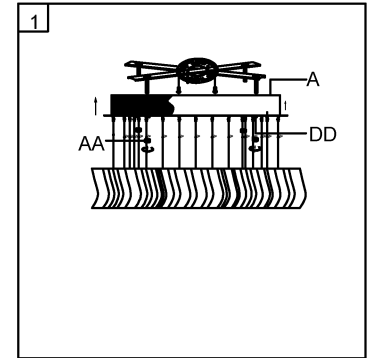
Trade Mark:
CRYSTAL WORLD INC

Product Name: Ceiling lamp
Model :6601C24C(H47)
120Vac, 60Hz,AC ONLY
Lamp size:Ø24"X47"H





CEILING LAMP ASSEMBLY INSTRUCTIONS


1.Place fixture(A)onto mounting screws (DD).secure with cap nuts (AA).

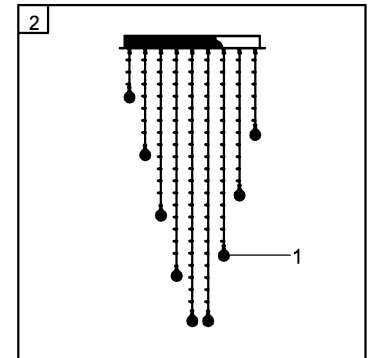


Hardware Used

AA Cap nut  X 4
DD Mounting screw  X 4

2.Please open the clear plastic bag carefully.and put the crystal(1) to the fixture .

1
 40mm*1PCS
90PCS



3.Install light bulbs (not included).

Use bulb  9*35W Max.
120V GU10

