

### STEP 3 - Install Chain System and Fixture Body together

A. Remove the bolt from the quick connector. Place the quick connector onto the chain link of the bottom end of chain system. Place the fixture loop inside the quick connector. Thread the bolt back to the quick connector and the fixture loop. Hand tighten until snug to connect the chain system to the fixture.

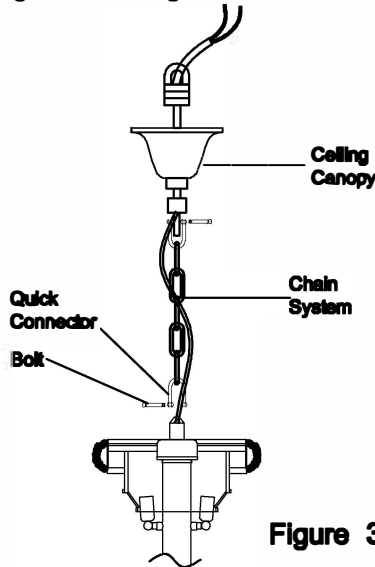


Figure 3

### STEP 4 - Install Fixture to Crossbar

A. Feed the supply wires and ground wire through the canopy chain loop and nipple into the outlet box. Cut the wire leaving approximately 8" of the wire extending from the outlet box. Then go to picture C for wire connections and follow up the directions. Return to Step 5 when complete the wire connection.

B. Raise the ceiling canopy and canopy lock ring up the fixture chain and over the canopy chain loop. Tighten the canopy lock ring onto the canopy chain loop until tight.

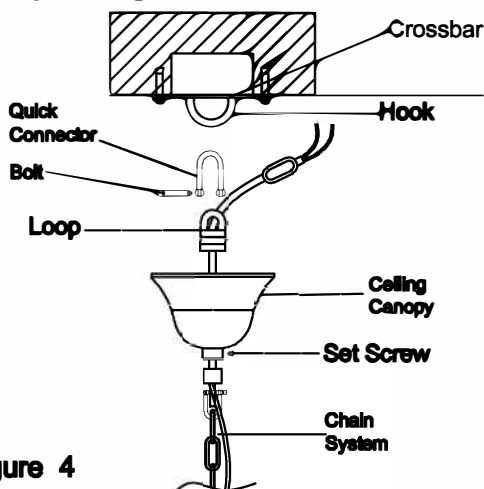


Figure 4

### STEP 5 - Making the Wire Connections

A. Use standard wire connectors (not included) to make all wire connections. Twist connectors until wires are tightly joined together. Wrap each connection with approved electrical tape and carefully stuff all the connected wires into outlet box.

Note: If the electrical wire is going to be cut shorter than provided you will need to identify the "L" line wire and the "N" neutral wire before you cut the excess wire off. One is labeled N and the other labeled L. To do this separate the "L" line wire and the "N" neutral wire as far as you need to. Re-label the wire near where you want to make the cut. Be sure to mark the wire on the side of the fixture and not on the excess wire being cut and removed.

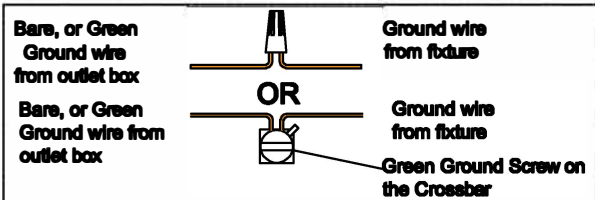
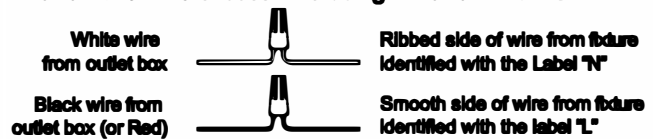


Figure 5