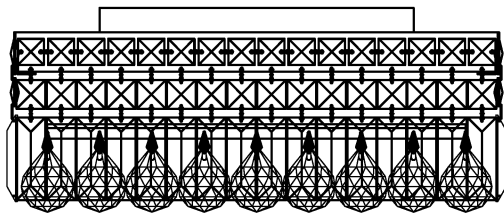


Trade Mark:
CRYSTAL WORLD INC

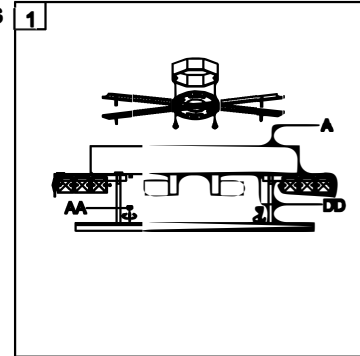
Product Name: Ceiling lamp
Model :8005C16C-R
120Vac, 60Hz,AC ONLY
Lamp size:Ø16"XH6"



Intertek
4006677

CEILING LAMP ASSEMBLY INSTRUCTIONS

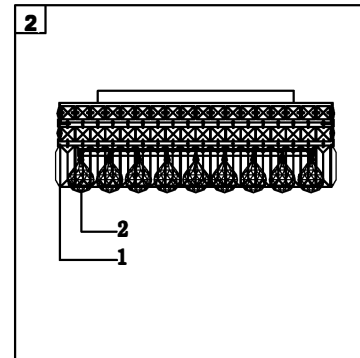
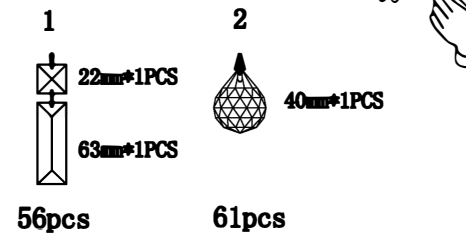
1. Place fixture(A) onto mounting screws (DD). secure with cap nuts (AA).




Hardware Used

AA Cap nut  X 4
DD Mounting screw  X 4

2. Please put the crystal (1) (2) to the fixture .



3. Install light bulbs (not included).
Use bulb
120V E12  5*40W Max.

