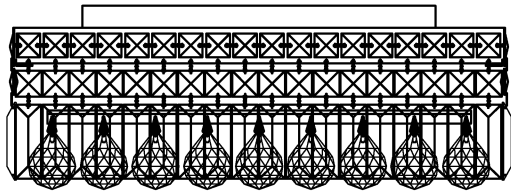


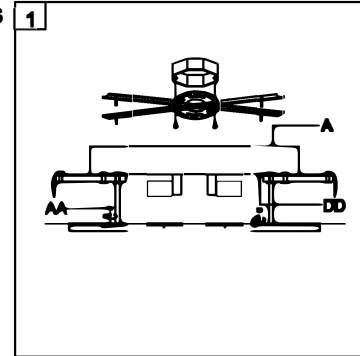
Trade Mark:  
CRYSTAL WORLD INC

Product Name: Ceiling lamp  
Model :8005C16C-S  
120Vac, 60Hz,AC ONLY  
Lamp size:L16"XW16"XH6"



## CEILING LAMP ASSEMBLY INSTRUCTIONS

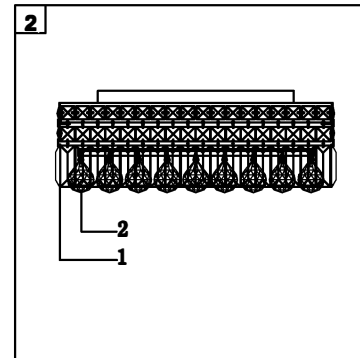
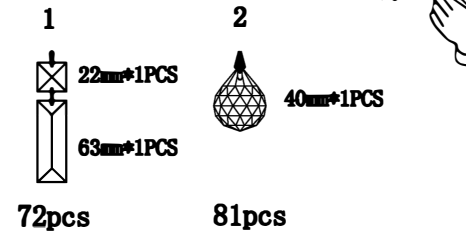
1. Place fixture(A) onto mounting screws (DD). secure with cap nuts (AA).




### Hardware Used

AA Cap nut  X 4  
DD Mounting screw  X 4

2. Please put the crystal (1) (2) to the fixture .



3. Install light bulbs ( not included).  
Use bulb  
120V E12  5\*40W Max.

