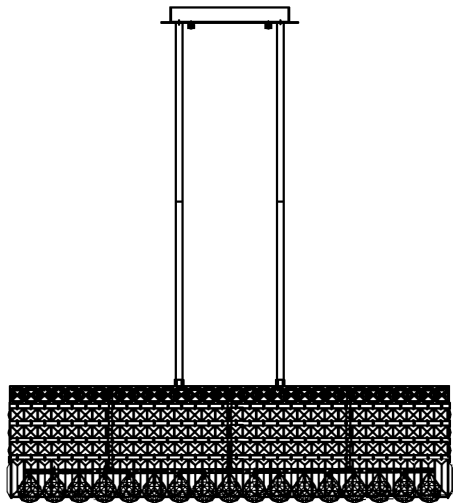


Trade Mark:
CRYSTAL WORLD INC

Product Name: Pendant lamp
Model :8030P30C-RC
120Vac, 60Hz,AC ONLY
Lamp Size:L30**W15**59"H

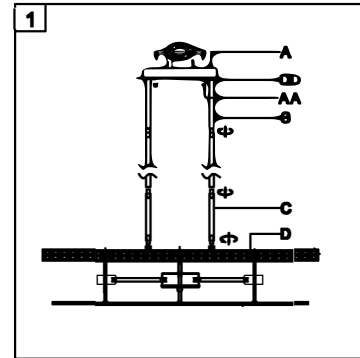


PENDANT LAMP ASSEMBLY INSTRUCTIONS



1.Place fixture(A)onto mounting screws (DD).secure with cap nuts (AA). Please fix (A) with (B).(B) with (C), (C) with (D).

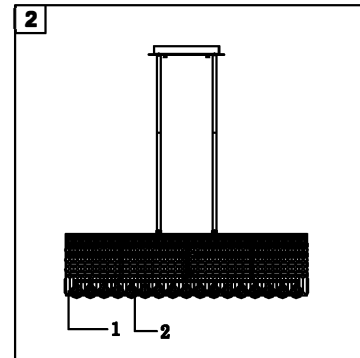
Hardware Used


AA Cap nut  X 2
DD Mounting screw  X 2



2.Please hang the crystal (1) (2) to the fixture .

1  2PCS
2  40mm*1PCS
136pcs
96pcs



3.Install light bulbs (not included).
Use bulb  10*40W Max.

