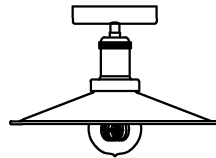


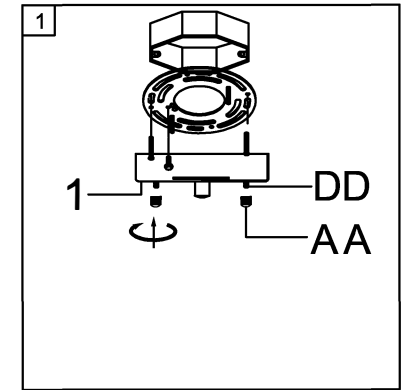
Trade Mark:  
CRYSTAL WORLD INC

Product Name: Ceiling lamp  
Model :9605C13-1-101  
120Vac, 60Hz,AC ONLY  
Lamp Size:D13"\*H7"




## CEILING LAMP ASSEMBLY INSTRUCTIONS

1. Place fixture (1) onto mounting screws (DD). Secure with Cap nut (AA).

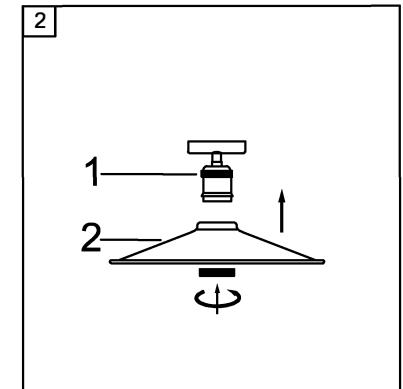


### Hardware Used

AA Cap nut  X 2

DD Mounting screw  X 2

2. Please fix part (2) with part (1).



3. Install lighting bulbs ( not included).

USE 120V E26  1\*40W Max.

