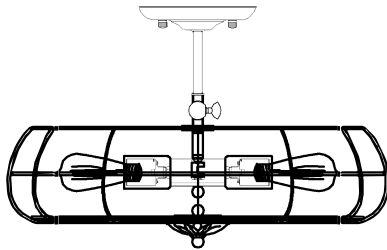


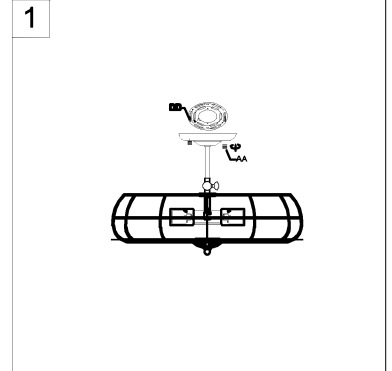
Trade Mark:
CRYSTAL WORLD INC

Product Name: Ceiling lamp
Model :9606C19-5
120Vac, 60Hz,AC ONLY
Lamp Size:D19"*H17"




CEILING LAMP ASSEMBLY INSTRUCTIONS

1.Place fixture(A)onto mounting screws (EE).Secure with cap nuts (AA).



Hardware Used

DD Mounting screw 
AA Cap nut 

2.Install bulbs (NOT INCLUDED).
USE
120V E26  5*40W Max.

