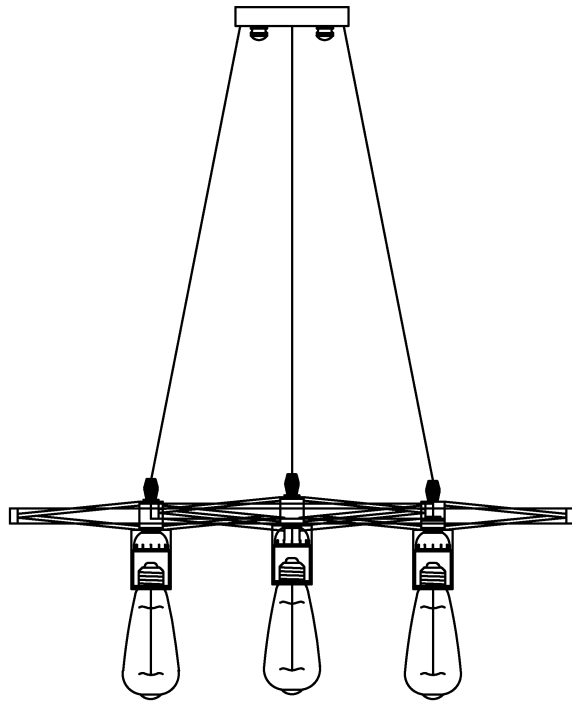



Trade Mark:
CRYSTAL WORLD INC

Product Name: Pendant lamp
Model :9699P25-3
120Vac, 60Hz,AC ONLY
Lamp Size:D26"*H24"



PENDANT LAMP ASSEMBLY INSTRUCTIONS

1. Please take off the plastic sheet from the lamp body.
2. Install bulbs(NOT INCLUDED).USE **120V E26**  **3*40W Max.**

