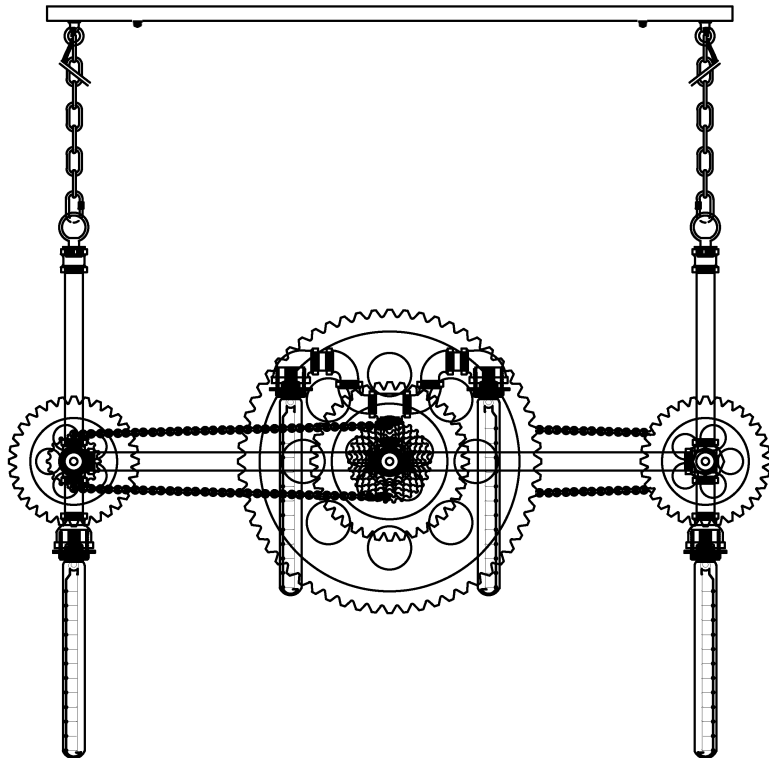



Trade Mark:
CRYSTAL WORLD INC

Product Name: Pendant lamp
Model :9712P41-6
120Vac, 60Hz, AC ONLY
Lamp Size:L41"*W14"*H24"



PENDANT LAMP ASSEMBLY INSTRUCTIONS

1. Please take off the plastic sheet from the lamp body.
2. Install bulbs (NOT INCLUDED). USE **120V E26**  **6*40W Max.**

