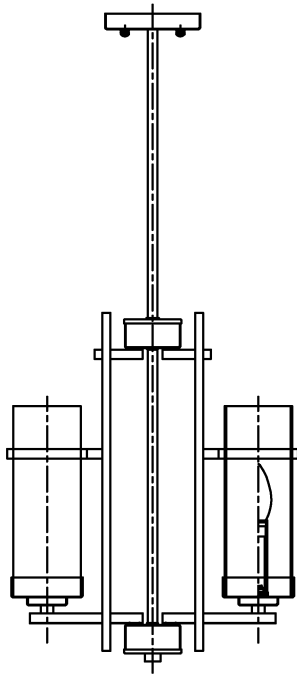


Trade Mark:
CRYSTAL WORLD INC

Product Name: Pendant lamp
Model :9827P14-4-101
120Vac, 60Hz,AC ONLY
Lamp Size: Ø14*H17"

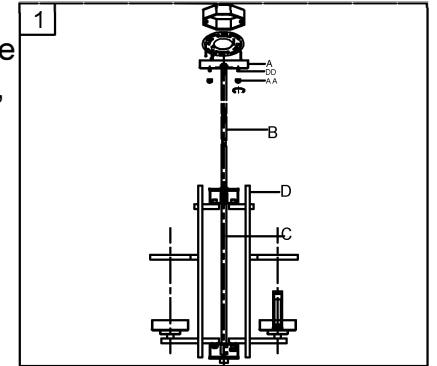



PENDANT LAMP ASSEMBLY INSTRUCTIONS

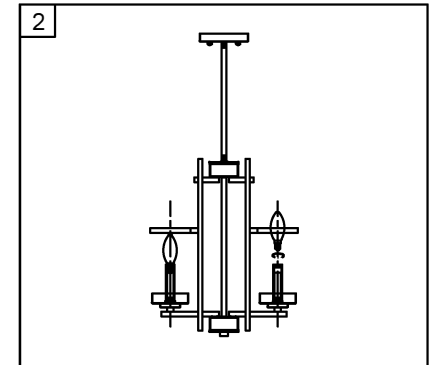
1. Place fixture(A) onto mounting screws (DD).secure with cap nuts (AA). Please fix (A) with (B).(B) with (C),(C) with (D),

Hardware Used

AA Cap nut		X 2
DD Mounting screw		X 2



2. Install light bulbs (not included).
Use bulb
120V E12  **4*40W Max.**



3. Install glass shade

