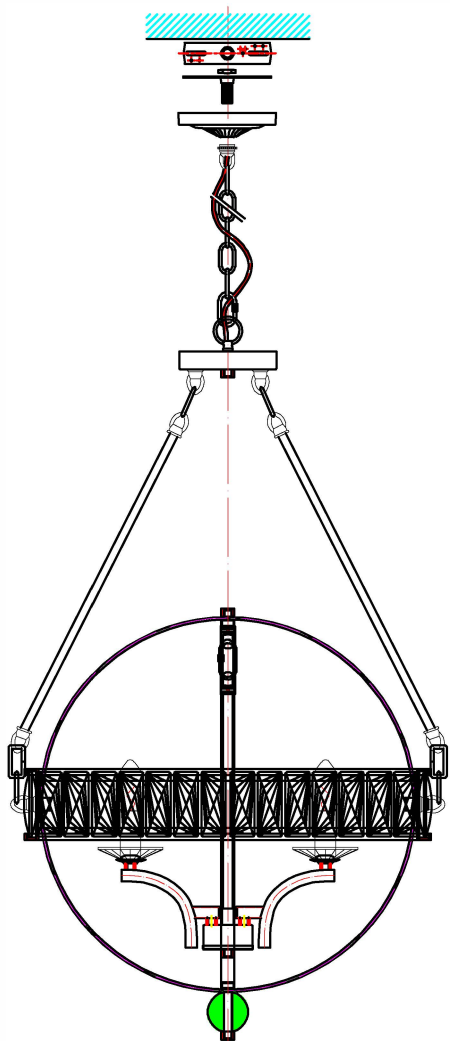


**Product Name: Pendant lamp**  
**Model :9957P20-4-601**  
**120Vac, 60Hz,AC ONLY**  
**Lamp Size:D20"\*H34"-H92"**

**Trade Mark:**  
**CRYSTAL WORLD INC**

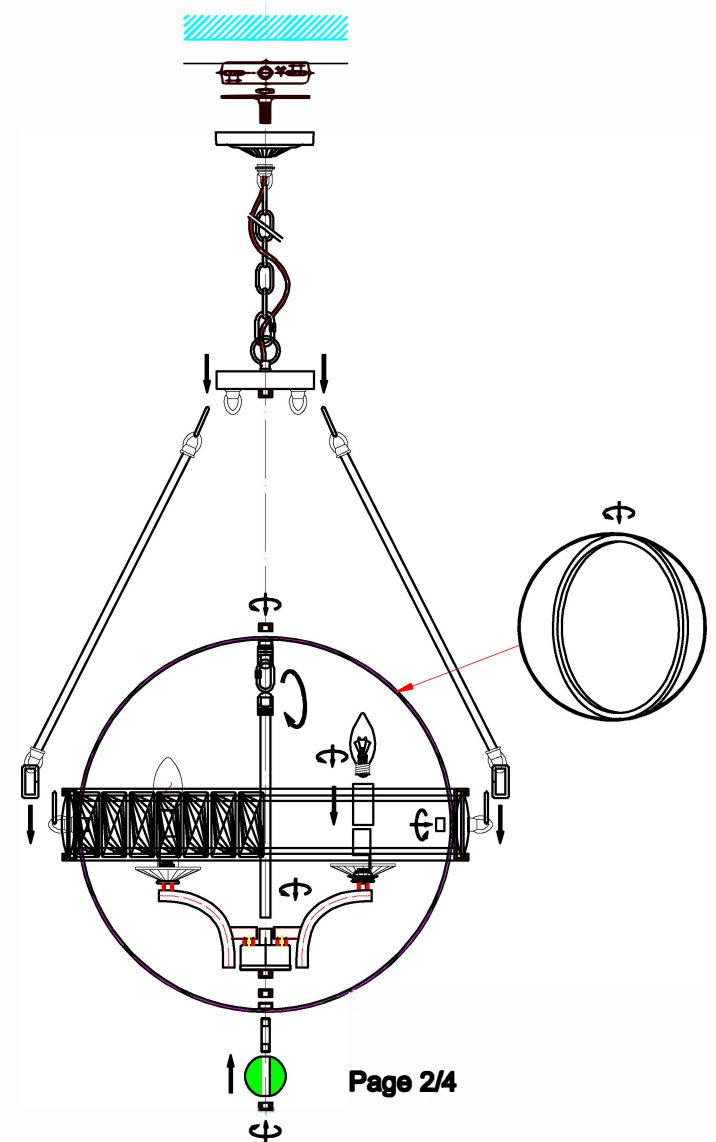


Page 1/4



## **PENDANT LAMP ASSEMBLY INSTRUCTIONS**

1. Install bulbs (NOT INCLUDED). USE 120V E12 4\*40W Max.



Page 2/4