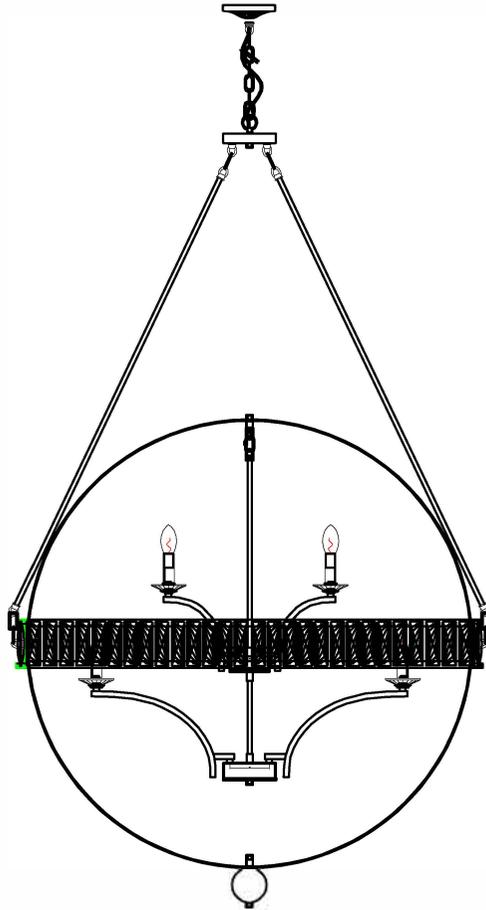


**Product Name: Pendant lamp**  
**Model :9957P42-12-601**  
**120Vac, 60Hz,AC ONLY**  
**Lamp Size:D42\*\*H69-H187"**

**Trade Mark:**  
**CRYSTAL WORLD INC**



## **PENDANT LAMP ASSEMBLY INSTRUCTIONS**

1. Install bulbs (NOT INCLUDED). USE 120V E12  12\*60W Max.

