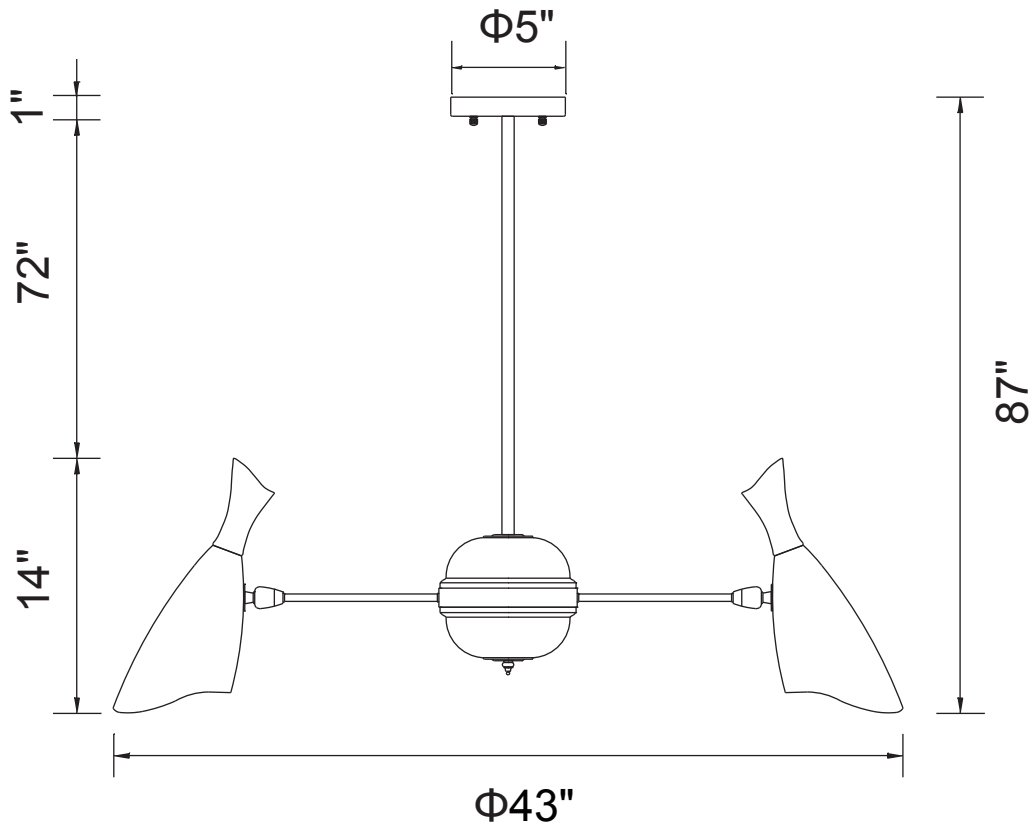


PROJECT: _____

FIXTURE TYPE: _____

LOCATION: _____

CONTACT/PHONE: _____



| | |
|------------|-----------------|
| Item | 1016P43-6-129 |
| Collection | ROLIN |
| Finish | Matte Black |
| Glass | ----- |
| Crystal | ----- |
| Input | 120V AC,60HZ,AC |

| | |
|-------------|-------|
| Shade | ----- |
| Length/Dia. | 43" |
| Width/Ext. | ----- |
| Height | 14" |
| Maximum | 87" |
| Lumens | ----- |

| | |
|--------------|----------|
| Light Source | E26/G9 |
| Bulb Info. | 3x60/40W |
| Included | ----- |
| Dimmable | Yes |
| Color | ----- |
| Weight | ----- |