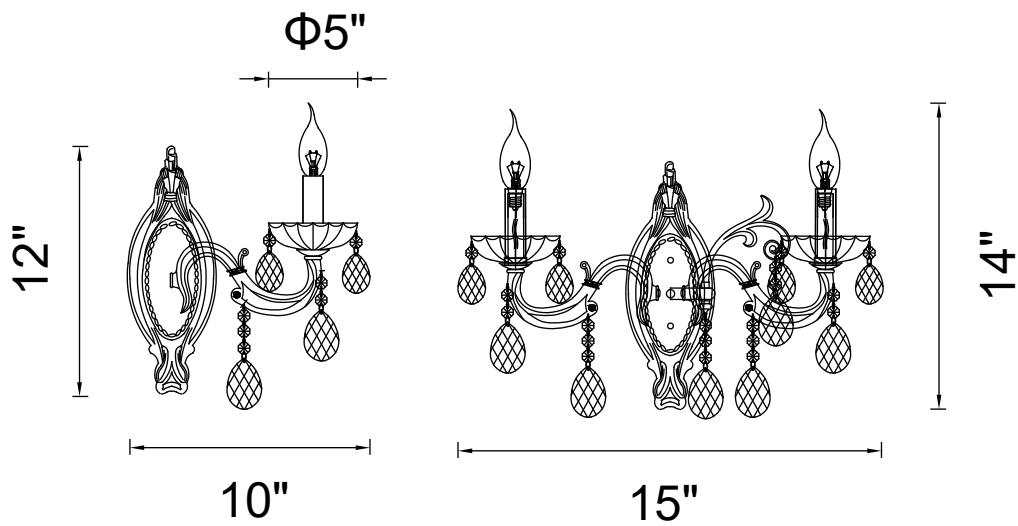


PROJECT: _____

FIXTURE TYPE: _____

LOCATION: _____

CONTACT/PHONE: _____



| | |
|------------|-----------------|
| Item | 2016W15C-2 |
| Collection | FLAWLESS |
| Finish | Chrome |
| Glass | ----- |
| Crystal | Clear |
| Input | 120V AC,60HZ,AC |

| | |
|-------------|-------|
| Shade | ----- |
| Length/Dia. | 15" |
| Width/Ext. | 10" |
| Height | 14" |
| Maximum | ----- |
| Lumens | ----- |

| | |
|--------------|-------|
| Light Source | E12 |
| Bulb Info. | 2×60W |
| Included | ----- |
| Dimmable | Yes |
| Color | ----- |
| Weight | |