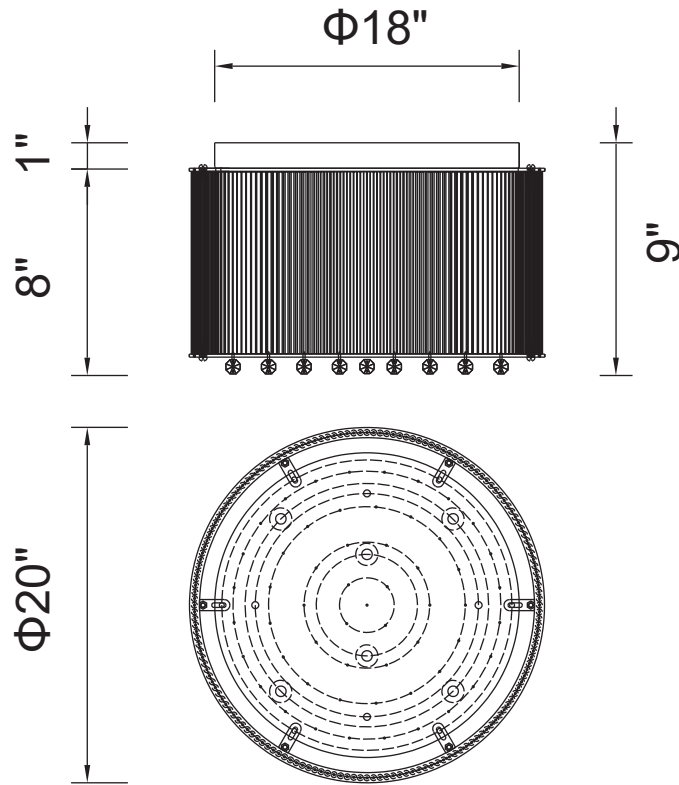




PROJECT: _____
 FIXTURE TYPE: _____
 LOCATION: _____
 CONTACT/PHONE: _____



| | |
|------------|-----------------|
| Item | 5319C20C-R |
| Collection | SPRING MORNING |
| Finish | Chrome |
| Glass | Clear |
| Crystal | Clear |
| Input | 120V AC,60HZ,AC |

| | |
|-------------|-------|
| Shade | ----- |
| Length/Dia. | 20" |
| Width/Ext. | ----- |
| Height | 9" |
| Maximum | ----- |
| Lumens | ----- |

| | |
|--------------|-------|
| Light Source | G9 |
| Bulb Info. | 9x40W |
| Included | ----- |
| Dimmable | Yes |
| Color | ----- |
| Weight | ----- |

