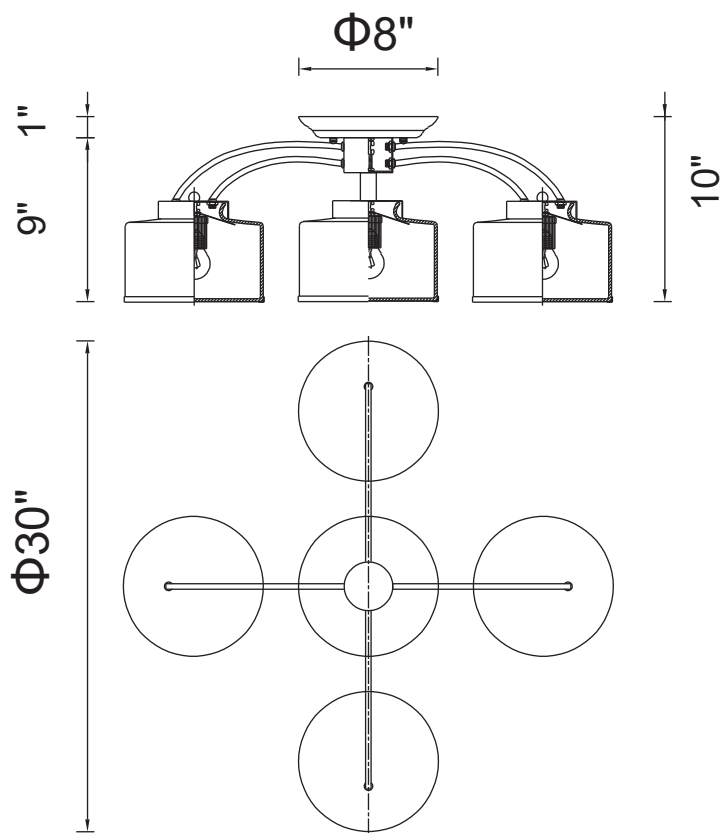




PROJECT: \_\_\_\_\_  
 FIXTURE TYPE: \_\_\_\_\_  
 LOCATION: \_\_\_\_\_  
 CONTACT/PHONE: \_\_\_\_\_



|            |                 |
|------------|-----------------|
| Item       | 5479C30C-5      |
| Collection | FROSTED         |
| Finish     | Chrome          |
| Glass      | Off White       |
| Crystal    | Clear           |
| Input      | 120V AC,60HZ,AC |

|             |       |
|-------------|-------|
| Shade       | ----- |
| Length/Dia. | 30"   |
| Width/Ext.  | ----- |
| Height      | 10"   |
| Maximum     | ----- |
| Lumens      | ----- |

|              |       |
|--------------|-------|
| Light Source | E26   |
| Bulb Info.   | 5x60W |
| Included     | ----- |
| Dimmable     | Yes   |
| Color        | ----- |
| Weight       |       |