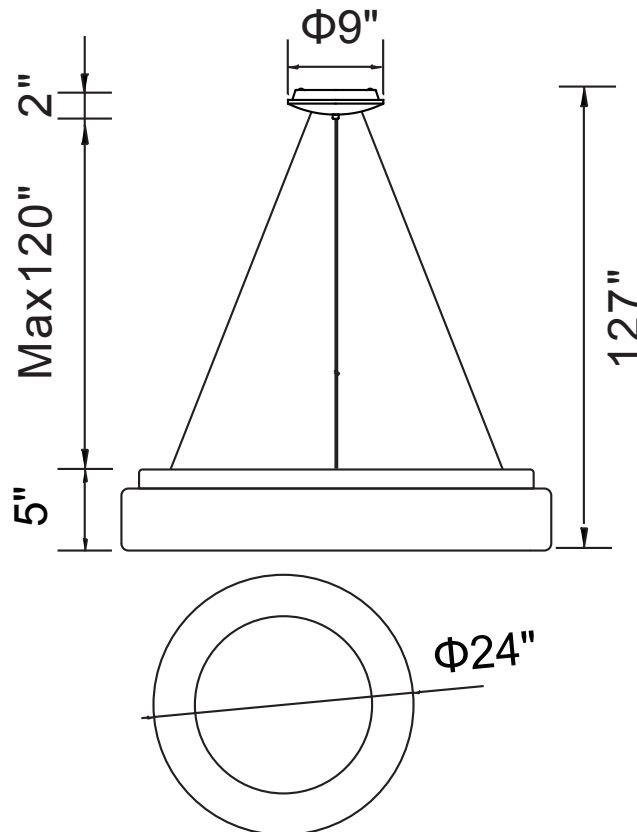


PROJECT: _____

FIXTURE TYPE: _____

LOCATION: _____

CONTACT/PHONE: _____



| | |
|------------|-----------------|
| Item | 7103P24-1-104 |
| Collection | ARENAL |
| Finish | White |
| Glass | ----- |
| Crystal | ----- |
| Input | 120V AC,60HZ,AC |

| | |
|-------------|-------|
| Shade | ----- |
| Length/Dia. | 24" |
| Width/Ext. | ----- |
| Height | 5" |
| Maximum | 127" |
| Lumens | 1936 |

| | |
|--------------|-------|
| Light Source | LED |
| Bulb Info. | 36W |
| Included | ----- |
| Dimmable | Yes |
| Color | 3000K |
| Weight | |