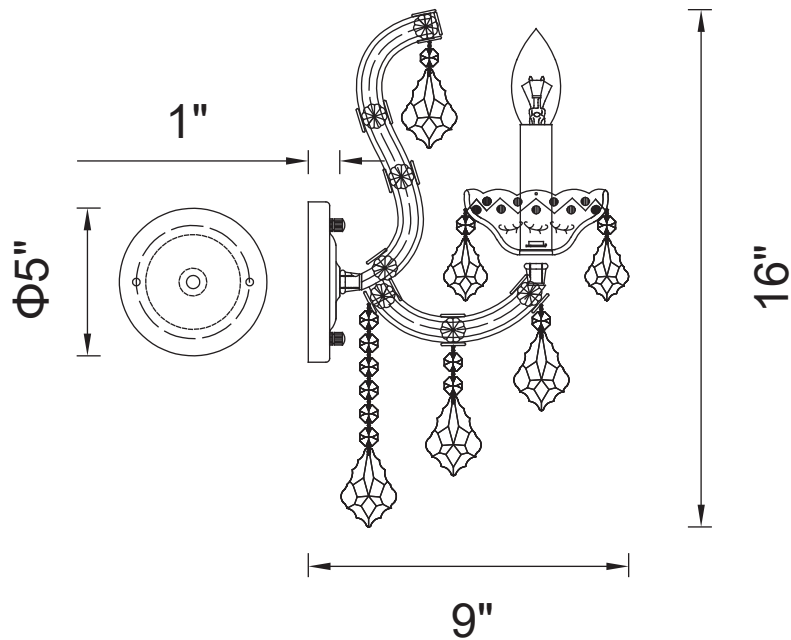


PROJECT: _____

FIXTURE TYPE: _____

LOCATION: _____

CONTACT/PHONE: _____



Item	8397W5C-1
Collection	MARIA THERESA
Finish	Chrome
Glass	-----
Crystal	Clear
Input	120V AC,60HZ,AC

Shade	-----
Length/Dia.	9"
Width/Ext.	9"
Height	16"
Maximum	-----
Lumens	-----

Light Source	E12
Bulb Info.	1×60W
Included	-----
Dimmable	Yes
Color	-----
Weight	