



54-INCH ISLAND HOOD

DHD54U9901



AVAILABLE MODELS

- DHD54U9901S Silver Stainless
- DHD54U9901M Graphite Stainless

FEATURES & BENEFITS

- Four-speed fan provides great performance while minimizing noise.
- Dishwasher-friendly baffles for easy cleanup.
- Auto Connect turns fan on and adjusts the speed as necessary when compatible cooktop is used.
- Strip LED lighting provides energy efficiency and a bright cooking area.
- Auto-On turns hood on automatically if high temperatures are sensed.
- Internal blower for easy installation.
- Noise dampening system provides a quieter experience.

CONTROL FEATURES

FAN SPEEDS	4 (3 STEP + BOOSTER)
CONTROL TYPE	TOUCH
AUTO SENSING	YES (HEAT SENSOR)
LOCATION	FRONT - CENTER
WI-FI AUTO CONNECT BUTTON	YES
BLUETOOTH CONNECT BUTTON	YES

ADDITIONAL FEATURES

FILTER TYPE	PROFESSIONAL BAFFLE
REMOVABLE FILTER	YES
LIGHTING	STRIP LED OF 39-3/8"

PERFORMANCE

CFM	1,200 CFM (780 CFM CONVERTIBLE)
-----	---------------------------------

CONNECTIVITY FEATURES

MONITORING	YES
FAN SPEED	YES
LIGHTING ON/OFF	YES
POWER CONTROL	YES

TECHNICAL DETAILS

CIRCUIT BREAKER (A)	15
VOLTS (V)	120
FREQUENCY (HZ)	60
ENERGY SOURCE	ELECTRIC

DIMENSIONS & WEIGHT

APPLIANCE DIMENSIONS (W X H X D) (IN.)	54 X 2-3/8 X 27-1/8
--	---------------------

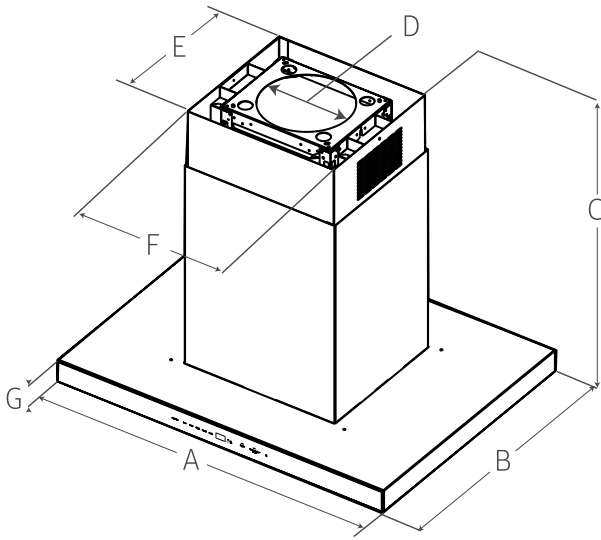
WARRANTY

LIMITED, PARTS AND LABOR	2 YEARS
--------------------------	---------

ACCESSORIES

DHD-D0000IS	DUCT COVER EXTENSION SILVER STAINLESS
DHD-D0000IM	DUCT COVER EXTENSION GRAPHITE STAINLESS

dacor 54-INCH ISLAND HOOD



APPLIANCE DIMENSIONS	
54"	
A	54" (136.7 CM)
B	27-1/4" (69.3 CM)
C	MAX. 52-1/2" (133.3 CM) MIN. 32-1/4" (82 CM)
D	10" (25.4 CM)
E	14-11/16" (37.3 CM)
F	16-1/2" (42 CM)
G	2-3/8" (6 CM)

®/™ © 2022. Dimensions are for planning purposes only. For complete details, see Installation Instructions packed with product. Specifications subject to change without notice. For product questions, visit www.dacor.com or call Customer Assurance at (833) 83-ELITE.

Appliance must be enable iQ Control. Wi-Fi & SmartThings* app required. Compatible smart appliance required. Features subject to change. Details and privacy info at <https://www.dacor.com/about-us/privacy-policy>.