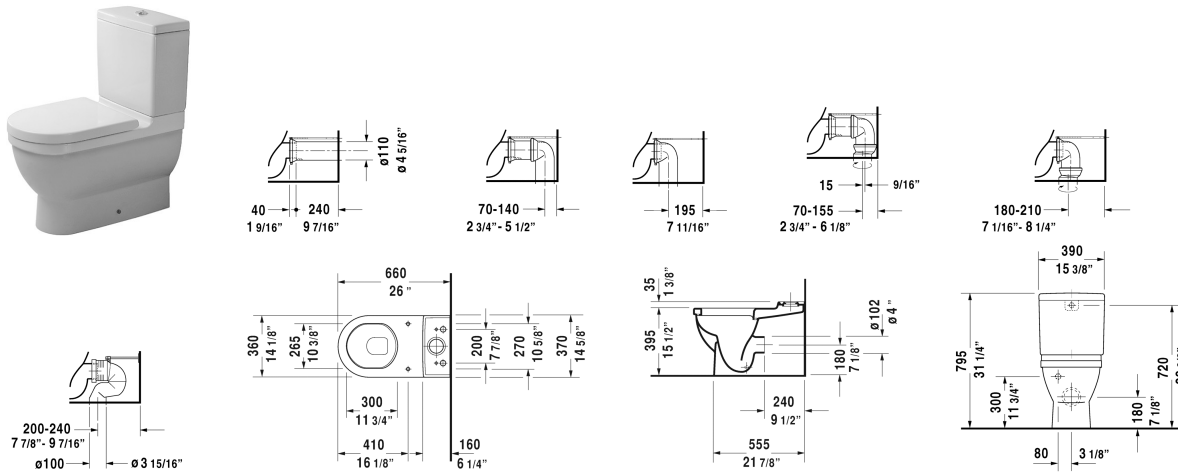


Starck 3 Toilet close-coupled # 012809..92 / 012809..921

| < 14 1/8" Inch > |



| Toilet close-coupled | Dimension | Weight | Order number |
|---|------------------------|---------|--------------|
| (without tank), washdown model, outlet for vario connector set, for horizontal and vertical outlet, length adjustable from 2 3/4" - 8 1/4", and vario connecting bend, vertical outlet from 7 7/8" - 9 1/2", hardware included, cUPC listed | | | |
| Colors | | | |
| 00 White 20 HygieneGlaze (an antibacterial ceramic glaze that provides almost indefinite effectiveness) | | | |
| Variant | | | |
| ♣ 1.6/0.8 gpf, US-version toilet | 14 1/8" x 25 3/4" Inch | 69 lb | 012809..92 |
| ♣ 1.6/0.8 gpf, US-version toilet | 14 1/8" x 25 3/4" Inch | 69 lb | 012809..921 |
| Vario connector set incl. excenter | | 3.3 lb | 001422 |
| Vario connecting bend for vertical outlet | | 1.5 lb | 899025 |
| Accessory for ceramics | | | |
| Tank for bottom left supply, cUPC listed | 15 3/8" x 7 1/4" Inch | 28.7 lb | 092010 |
| Suitable products | | | |
| Toilet seat and cover hinges stainless steel, without slow close, | | | 006381 |
| Toilet seat and cover hinges stainless steel, removable, with slow close, | | | 006389 |

All drawings contain the necessary measurements which are subject to standard tolerances. They are stated in inch & mm and are non-binding. Exact measurements, in particular for customized installation scenarios, can only be taken from the finished ceramic piece.