

MR16 / GU5.3

3.0W - 15°

SPECIFICATIONS & TECHNICAL DATA

The 12V EmeryAllen MR16 retrofit lamp is an energy efficient alternative to halogen MR16 lamps. It offers similar light output to a 12V, 20W incandescent (275-300lm) and is suitable for use in most 12V GU5.3 MR16 fixtures.

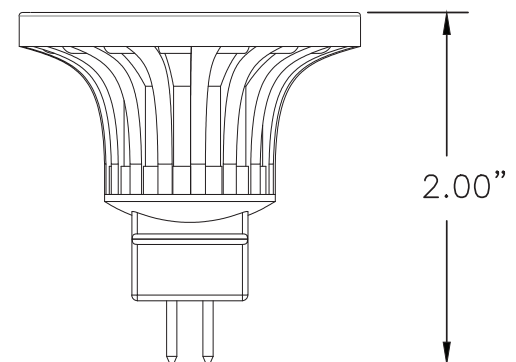
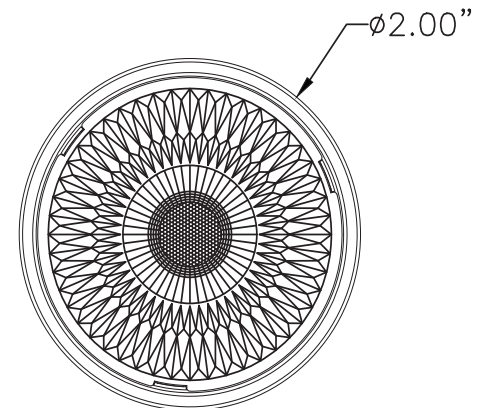
Base Type	GU5.3
Material	Ceramic + PC
Input Voltage	12V AC
Wattage	3.0
CRI	90+
Brightness	280 lumens
Lumens/Watt	90.5
CBCP	1263
Color Temperature	2700K, 3000K
R9	52
R13	96
Halogen Equivalent	20W
Beam Angle	15 degrees

Available Models:

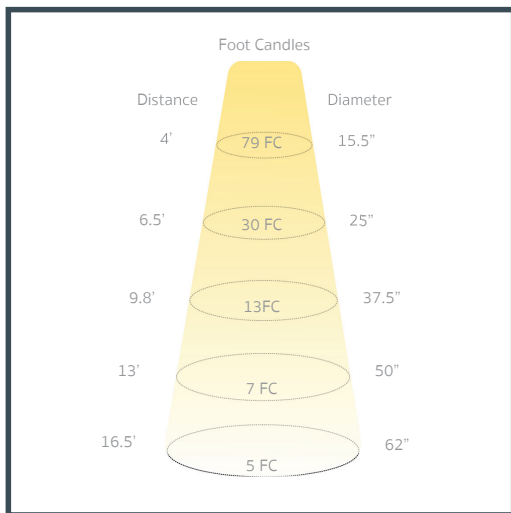
- EA-MR16-3.0W-15D-2790-D (2700K)
- EA-MR16-3.0W-15D-3090-D (3000K)

Dimming:

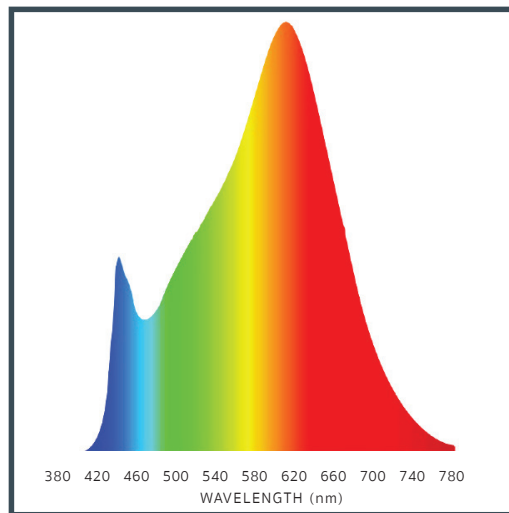
- Dimmable with most magnetic and electronic LED compatible transformers
- Dimmable with most MLV and ELV dimmers



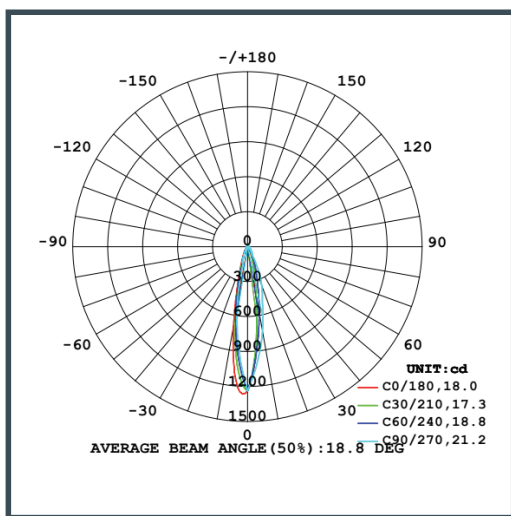
CANDELA DISTRIBUTION



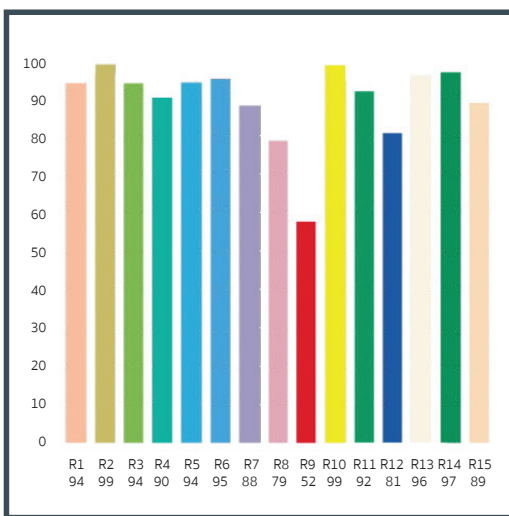
SPECTRAL DISTRIBUTION



LUMINOUS INTENSITY



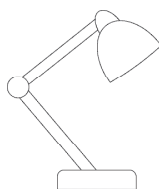
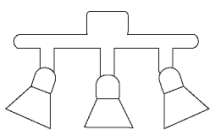
CRI VALUES R1-R15



APPLICATIONS

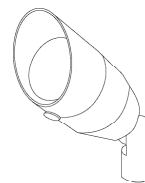
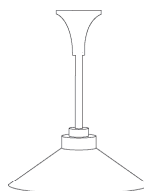
Because of their small size, ability to be enclosed and numerous combinations of options, our MR16 can be used in a variety of applications. Here are a few common ones.

TRACK LIGHTING



TASK LIGHTING

PENDANTS



LANDSCAPE LIGHTING

RECESSED LIGHTING

