

# MR16 / GU5.3

## 3.0W - 24°

### SPECIFICATIONS & TECHNICAL DATA

The 12V EmeryAllen MR16 retrofit lamp is an energy efficient alternative to halogen MR16 lamps. It offers similar light output to a 12V, 20W incandescent (275-300lm) and is suitable for use in most 12V GU5.3 MR16 fixtures.

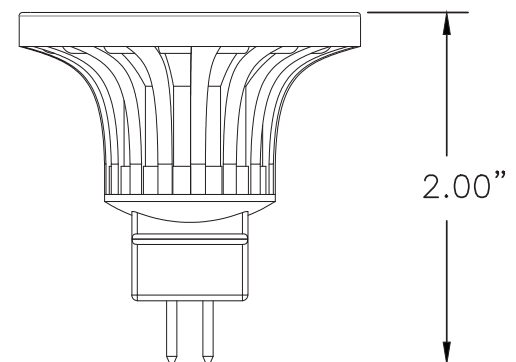
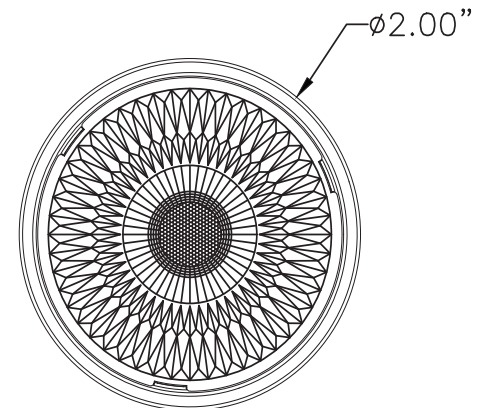
<b>Base Type</b>	GU5.3
<b>Material</b>	Ceramic + PC
<b>Input Voltage</b>	12V AC
<b>Wattage</b>	3.0
<b>CRI</b>	90+
<b>Brightness</b>	290 lumens
<b>Lumens/Watt</b>	84
<b>CBCP</b>	843
<b>Color Temperature</b>	2700K, 3000K
<b>R9</b>	52
<b>R13</b>	96
<b>Halogen Equivalent</b>	20W
<b>Beam Angle</b>	24 degrees

#### Available Models:

- EA-MR16-3.0W-24D-2790-D (2700K)
- EA-MR16-3.0W-24D-3090-D (3000K)

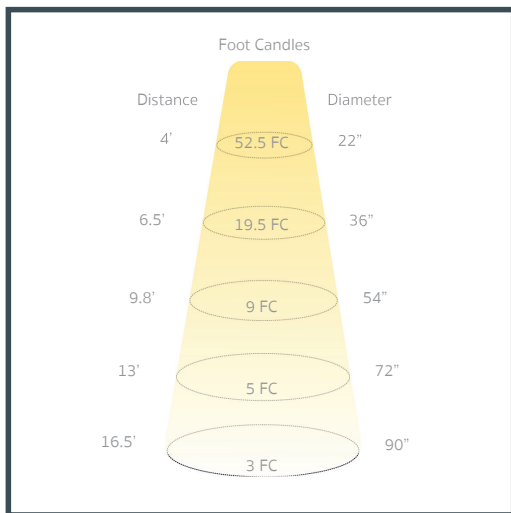
#### Dimming:

- Dimmable with most magnetic and electronic LED compatible transformers
- Dimmable with most MLV and ELV dimmers

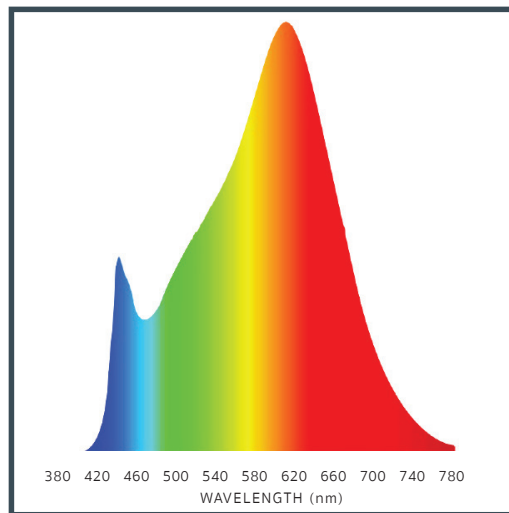


# MR16 / GU5.3 / 3.0W / 24°

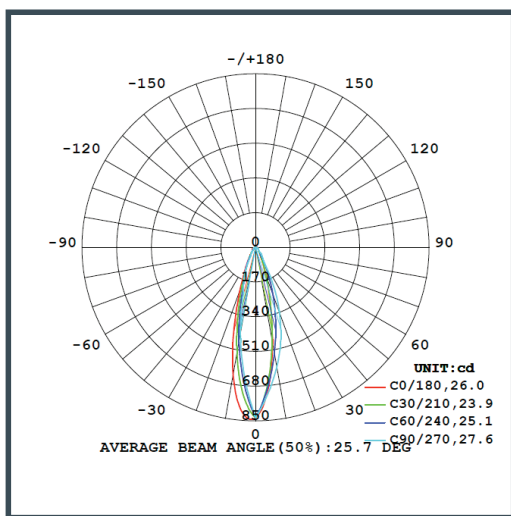
## CANDELA DISTRIBUTION



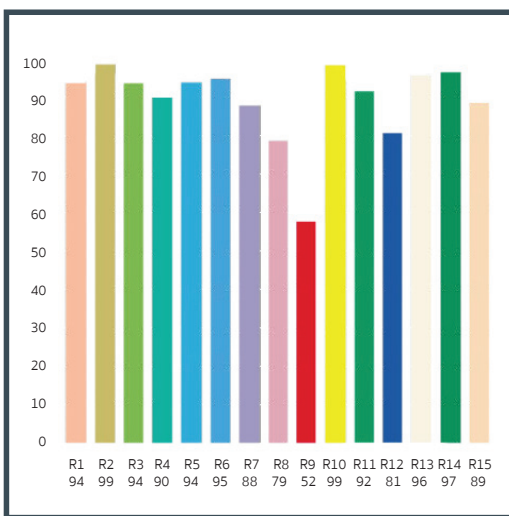
## SPECTRAL DISTRIBUTION



## LUMINOUS INTENSITY



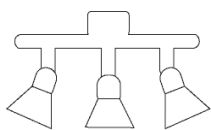
## CRI VALUES R1-R15



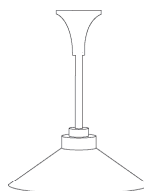
## APPLICATIONS

Because of their small size, ability to be enclosed and numerous combinations of options, our MR16 can be used in a variety of applications. Here are a few common ones.

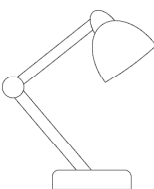
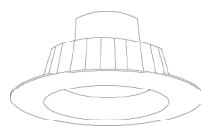
TRACK LIGHTING



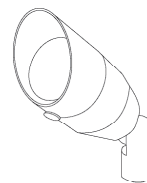
PENDANTS



RECESSED LIGHTING



TASK LIGHTING



LANDSCAPE LIGHTING