

# LIVING DISTRICT

Collection:Nocturne

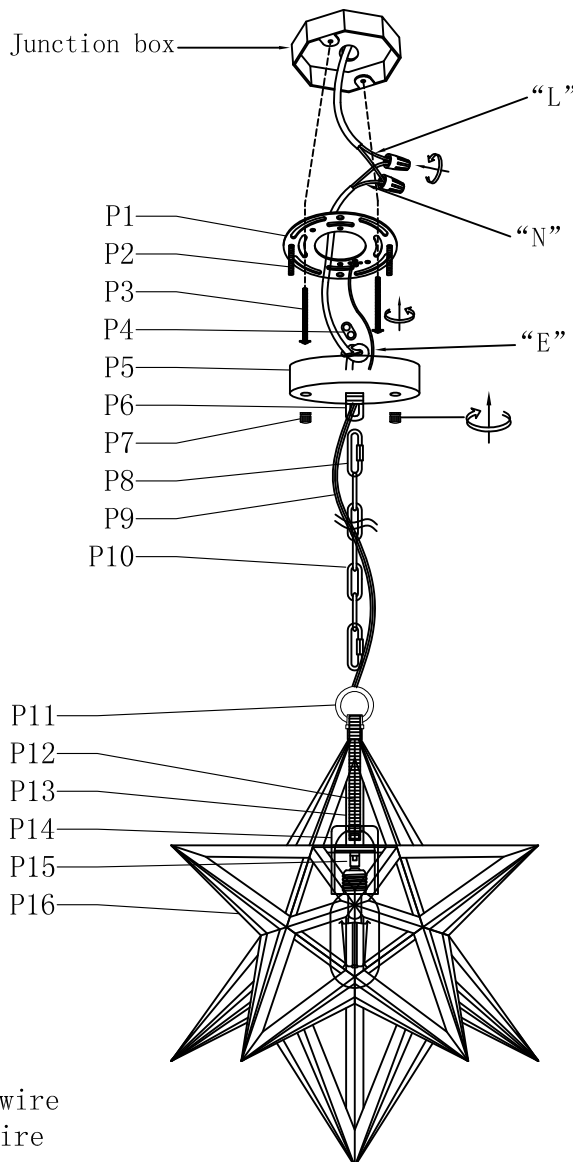
Installation manual for:

LD4076D16 D15.8"H17.5"L1

## Installation instructions:

1. Install the metal chain (P8) to the loop (P6). wire need to pass through the chain and pull clasp.
2. Black wire from ceiling(junction box) attaches to "L" wire from the fixture.
3. White wire from ceiling(junction box) attaches to "N" wire from the fixture.
4. "E" wire from the fixture is attached to the mounting bracket and an additional "E" wire from the mounting bracket must be secured to the junction box.
5. Secure mounting bracket to the junction box.
6. Insert screws (P3) in side of top unit the mounting bracket.
7. Screw (P2) pass through the holes in canopy plate and tighten by nut (P7).
8. Install the bulb(not included) in lamp holder (P15).

The end!



## PARTS LIST

part	picture	Description	Qty	Check list
P1		4"Mounting bracket	1	
P2		5/32-30 Screw	2	
P3		5/32-32 Screw	2	
P4		clasp	1	
P5		Ø4.7" canopy plat	1	
P6		loop	1	
P7		nut	2	
P8		Quick link	2	
P9		Power Cord 6.5' 18# Black	1	
P10		1.59"CHAIN04 Plain design	1	
P11		loop	1	
P12		thread pipe	1	
P13		ø0.5"×H3.2"Circular tube	1	
P14		E26 Light cup	1	
P15		E26 Lamp holder	1	
P16		15.8"Lamp shade	1	
P17				

"L" = Hot wire

"N" = Neutral wire

"E" = Ground wire