

LIVING DISTRIC T

Collection:Ollie

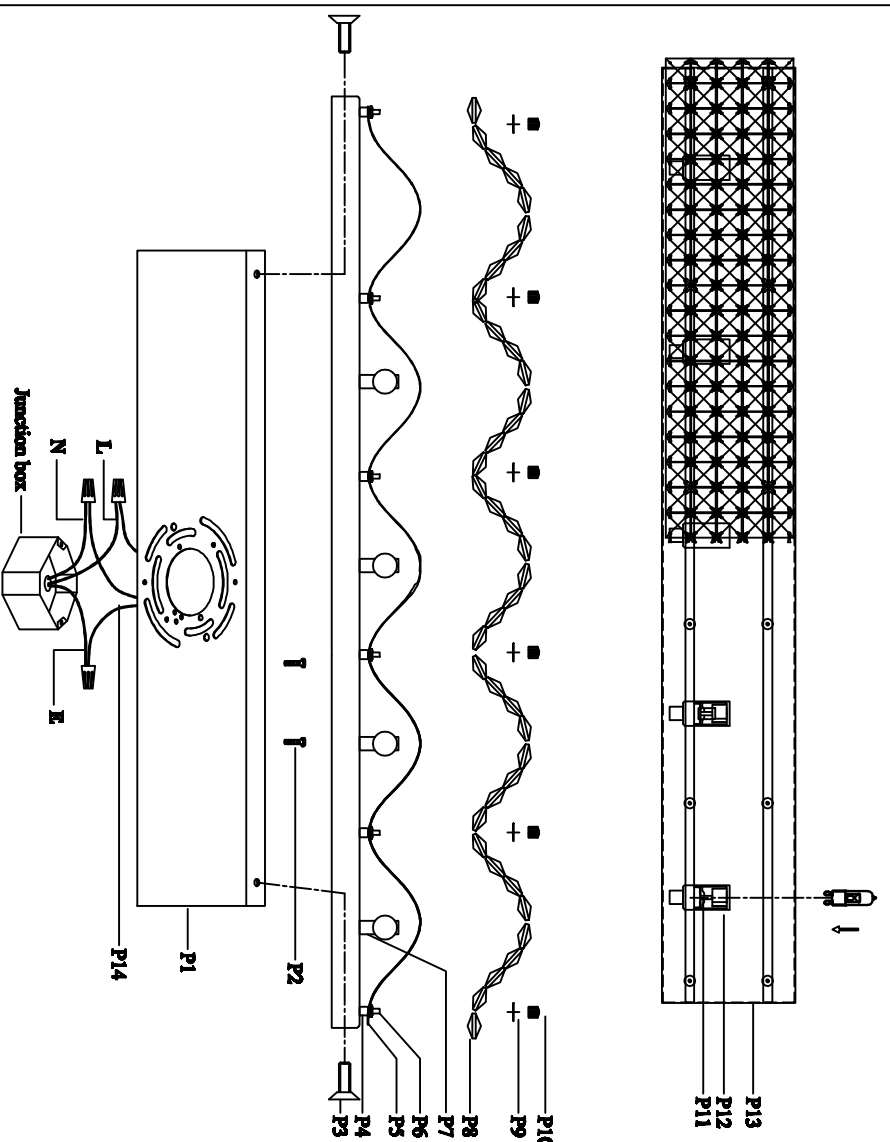
Installation manual for:

LD7020BR W33.7"*H4.7"*E3.5"L5

Installation instructions:

1. Black wire from ceiling(junction box) attaches to "L"wire from the fixture.
2. White wire from ceiling(junction box) attaches to "N"wire from the fixture.
3. "E" wire from the fixture is attached to the mounting bracket and an additional "E" wire from the mounting bracket must be secured to the junction box.
4. Secure mounting bracket to the junction box.
5. Insert screws (P2) in side of top unit the mounting bracket.
6. With knurled nut (P10), plastic gasket (P9) crystal cloth (P8) lock on the lamp
7. Lock the lamp body on the mounting bracket (P1) on the wall with a flat head screw (P3)
8. Install G9 light source.(Bulbs not supplied)

The end!



PARTS LIST

Part	Picture	Description	Qty	Check list
P1		Mounting bracket (L26.7"*W4.45"*H0.67")	1	
P2		Mounting bracket screw	2	
P3		Flat head Screw	2	
P4		Glass plate	12	
P5		Stainless steel bar L38.58"	2	
P6		M3 Round head screw	12	
P7		Square Iron Part	5	
P8		Crystal cloth	1	
P9		Plastic gasket	12	
P10		Knurled nut	12	
P11		G9 Ceramic Socket	5	
P12		40.9"*H1.7"*Lampshade, Iron (Chrome)	5	
P13		Ceramic(L32.7"*W4.7"*H1", Stainless steel)	1	
P14		18° Internal angle installation block and White Teflon Vise L3.8"	1	

"L" = Hot wire

"N" = Neutral wire

"E" = Ground wire