

LIVING DISTRICT

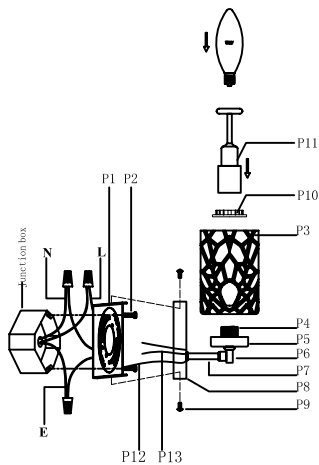
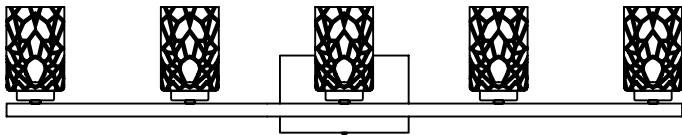
Collection: Cassie

Installation manual for:

LD7029W41BK/BR/SN W41.3" E5.2" H7.7" L5

Installation instructions:

1. Black wire from ceiling(junction box) attaches to "L"wire from the fixture.
 2. White wire from ceiling(junction box) attaches to "N"wire from the fixture.
 3. "E" wire from the fixture is attached to the mounting bracket and an additional "E" wire from the mounting bracket must be secured to the junction box.
 4. Secure mounting bracket to the junction box.
 5. Insert the mounting bracket screw(P2) into the mounting bracket (P1)
 6. Use the screw(P5) to lock the lamp body to the mounting bracket (P1) on the ceiling.
 7. Locking the glass shade(P3) on the socket(P4) by tool(P11)
 8. Install E12 light source.(Bulbs not supplied)
- The end!



Part	Picture	Description	Qty	Check list
P1		mounting bracket L4.72"*W4.53"*H0.59"	1	
P2		Mounting bracket screw	2	
P3		Glass shade Φ3.5"*H5.9"	5	
P4		E12 holder	5	
P5		Cup Φ2.4"*H0.59"	5	
P6		Lamp arm L31.9"*H0.79"*W0.39"	1	
P7		head tube (Φ0.4"*L2.8")	2	
P8		Backplate L7.9"*W4.7"*H0.8"	1	
P9		Screw	4	
P10		E12 socket ring	5	
P11		E12 tool	1	
P12		UL18#Ground wire, L9.84"	1	
P13		UL18#, L6"	1	

"L" = Hot wire

"N" = Neutral wire

"E" = Ground wire