

# LIVING DISTRICT

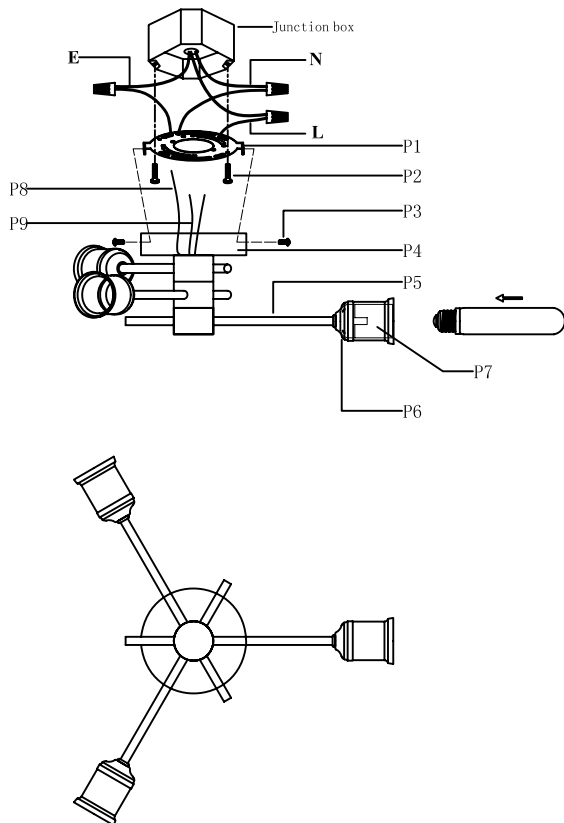
Collection: Xavier

Installation manual for:

LD7049F18BK/BR D18" H5" L3

## Installation instructions:

1. Black wire from ceiling(junction box) attaches to "L"wire from the fixture.
  2. White wire from ceiling(junction box) attaches to "N"wire from the fixture.
  3. "E" wire from the fixture is attached to the mounting bracket and an additional "E" wire from the mounting bracket must be secured to the junction box.
  4. Secure mounting bracket to the junction box.
  5. Insert the mounting bracket screw(P2) into the mounting bracket (P1)
  6. Separate and adjust the lamp arms, Use the screw(P3) to lock the lamp body to the mounting bracket(P1) on the ceiling.
  7. Install E26 light source.(Bulbs not supplied)
- The end!



Part	Picture	Description	Qty	Check list
P1		mounting bracket Φ4.53"×H0.59"	1	
P2		Mounting bracket screw	2	
P3		Screw	2	
P4		Canopy Φ4.72"×H0.98"	1	
P5		Lamp arm L9.8"×H1.2"	3	
P6		cup Φ2.1"×H2.6"	3	
P7		E26 holder	3	
P8		UL18#Ground wire, L9.84"	1	
P9		UL18#, L6"	1	

"L" = Hot wire

"N" = Neutral wire

"E" = Ground wire