

LIVING DISTRICT

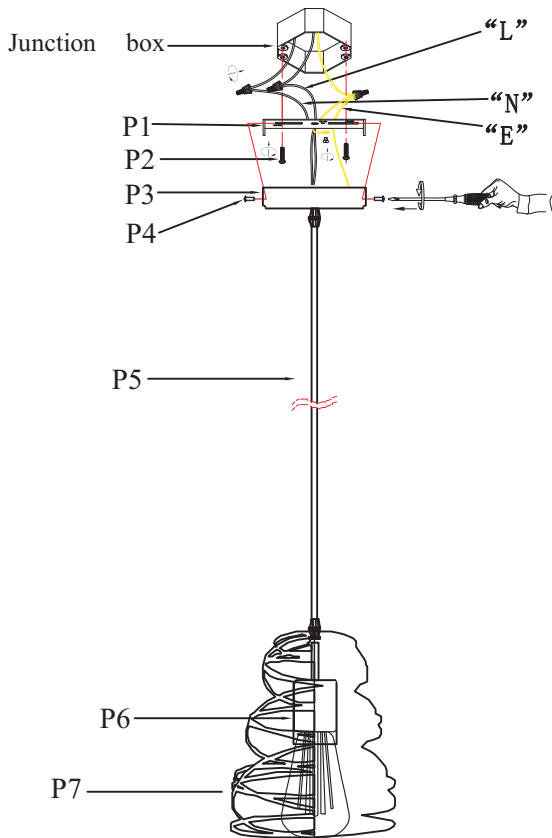
Installation manual for:
LDPD3011 D7.5"H9.2"L1

Installation instructions:

1. Black wire from ceiling(junction box) attaches to "L"wire from the fixture.
- 2.White wire from ceiling((junction box) attaches to "N"wire from the fixture.
3. "E" wire from the fixture is attaced to the mounting bracket and an additional "E" wire from the mounting bracket must be secured to the junction box.
- 4.Secure mounting bracket to the junction box.
- 5.Insert screws (P2) in side of top unit the mounting bracket.
- 6.Fix the Mounting bracket(P1) to the Canopy and tighten by the screws(P4).
- 7.Install the bulbs into the lamp fixture.(Bulb not supplied)

The end!

PARTS LIST



part	picture	Description	Qty	Check list
P1		L4.5" Mounting bracket	1	
P2		Screw	2	
P3		ø 4.7" canopy	1	
P4		Screw	2	
P5		Power Cord 18# Black	1	
P6		E26 Lampholder	1	
P7		Lampshade	1	

"L" = Hot wire
"N" = Neutral wire
"E" = Ground wire