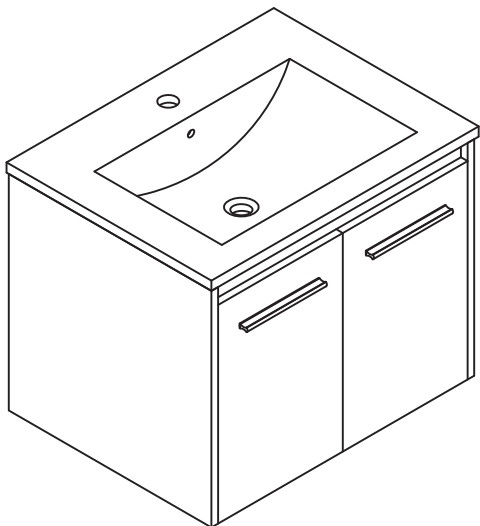




ELEGANT
FURNITURE & LIGHTING™

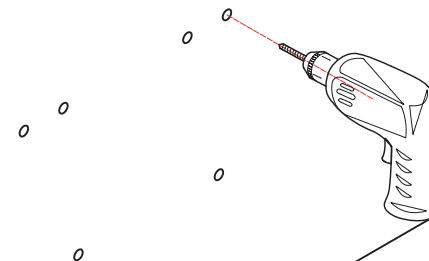
Assembly instructions

VF44024WH / VF44024WB
VF44024CG



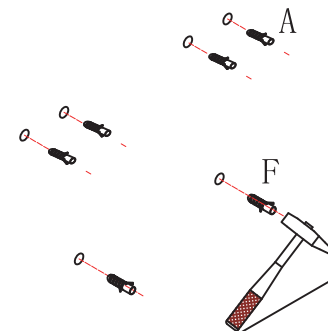
Step 1

Wall









Step 2

Wall

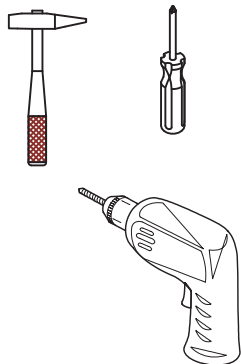


Hardware

NO.	Parts	QTY
A	 (M6*1.18")	4
B		2
C	 (T4*1.38")	4

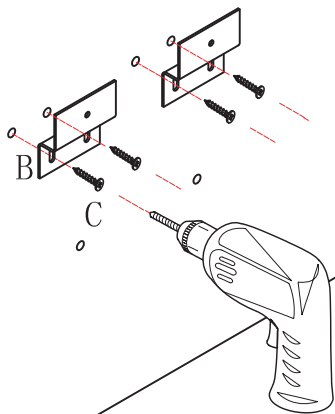
NO.	Parts	QTY
D	 (T4*0.55")	2
E	 (M6*2.36")	2
F	 (M8*1.18")	2

Tools

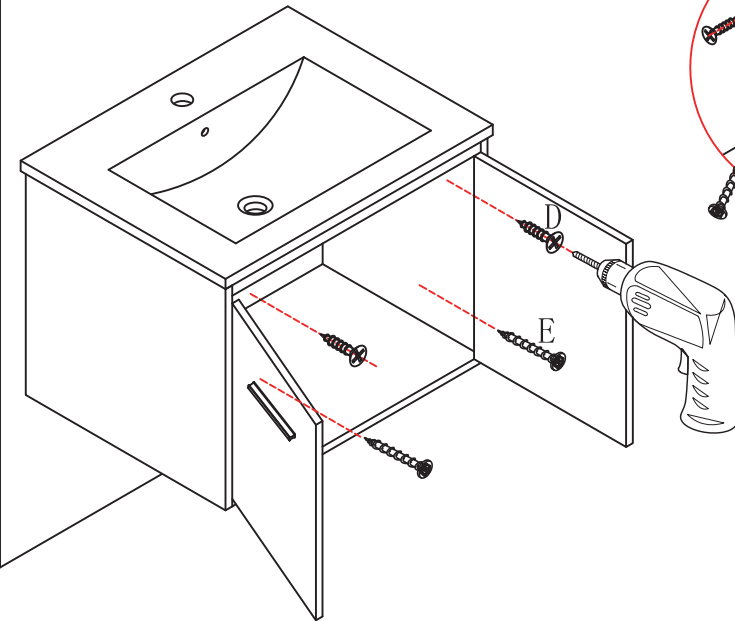


Step 3

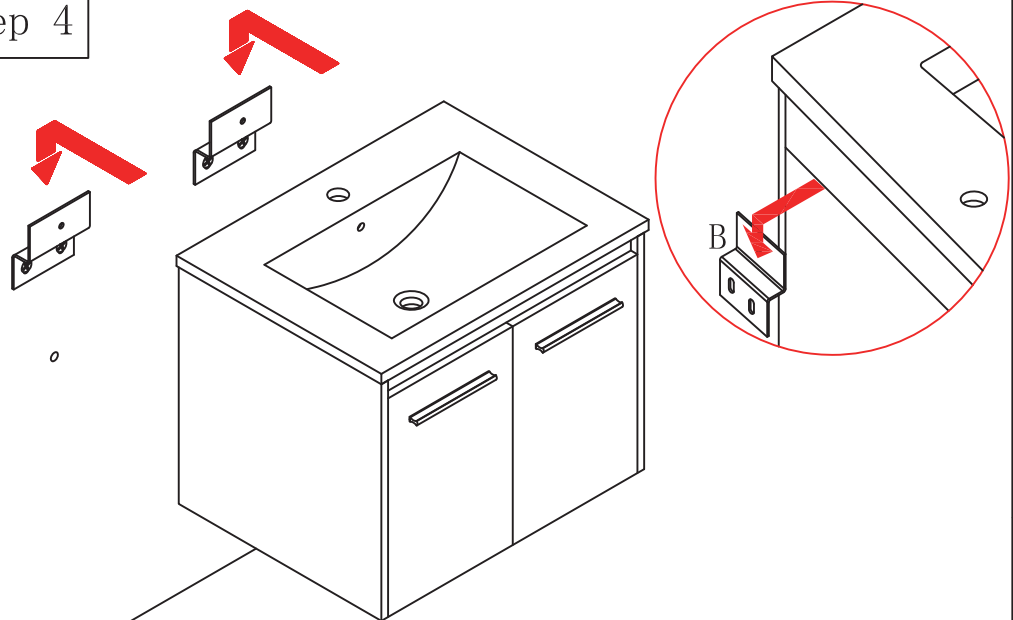
Wall



Step 5



Step 4



Finished

