

LIVING DISTRICT

Collection: Maine

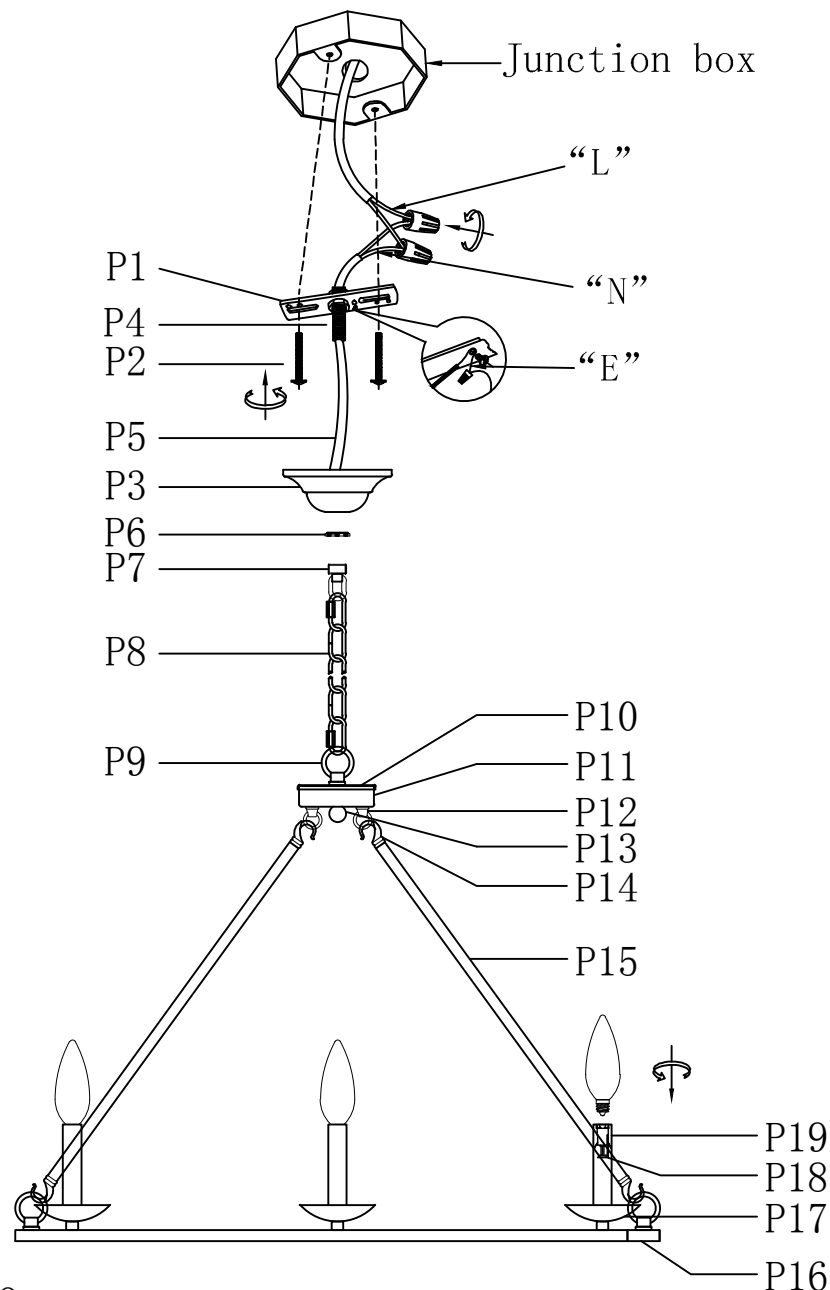
Installation manual for:

LD6010D26 D26"H20" L6

Installation instructions:

1. Black wire from ceiling(junction box) attaches to "L" wire from the fixture.
2. White wire from ceiling(junction box) attaches to "N" wire from the fixture.
3. "E" wire from the fixture is attached to the mounting bracket and an additional "E" wire from the mounting bracket must be secured to the junction box.
4. Secure mounting bracket to the junction box.
5. Insert screws (P2) in side of top unit the mounting bracket.
6. Connect the metal wire box(P11), rod(P15) and lamp body ring(P16) together.
7. Hang the lamp body to the chain(P8) and connect the canopy lock(P7).
8. Put the canopy(P3) on the nipple(P4) and connect the canopy lock(P7), then use the canopy ring(P6) to screw tighten.
9. Install E12 light source, no include bulb.

The end!



"L" = Hot wire
 "N" = Neutral wire
 "E" = Ground wire

PARTS LIST

part	picture	Description	Qty	Check list
P1		L4" Mounting bracket	1	
P2		5/32-32 Screw	2	
P3		D5.1" Canopy plat	1	
P4		Nipple	1	
P5		Power Cord 9.5', 18AWG, SPT-1 Clear/Gold/Black	1	
P6		Canopy ring	1	
P7		Canopy lock	1	
P8		L5' CHAIN04P Plain Design	1	
P9		D1.5" Loop	4	
P10		D3.65" Wire Box	1	
P11		D3.55" Metal Wire Box	1	
P12		Loop	3	
P13		Cap nut	1	
P14		Hook	6	
P15		L14.65" Rod	3	
P16		D24" Lamp body ring	1	
P17		D3.54" Lamp holder	6	
P18		E12 Socket	6	
P19		D0.87"*L4.53" Candle cover	6	