

IMPORTANT

Read all instructions before assembling.

WARNING: To avoid damages, assemble the product on a soft, clean surface.

CAUTION: Keep small parts out of reach of children.

Before assembly, remove all parts and part packages from carton. If anything is missing or damaged, please contact the retailer from which the product was purchased or contact customer service, 800-613-3261.

elk HOME

ANY QUESTIONS CALL: 800-613-3261
M-F 8:00AM-6:00PM ET

H0015-10229
Gabe Bar Cabinet

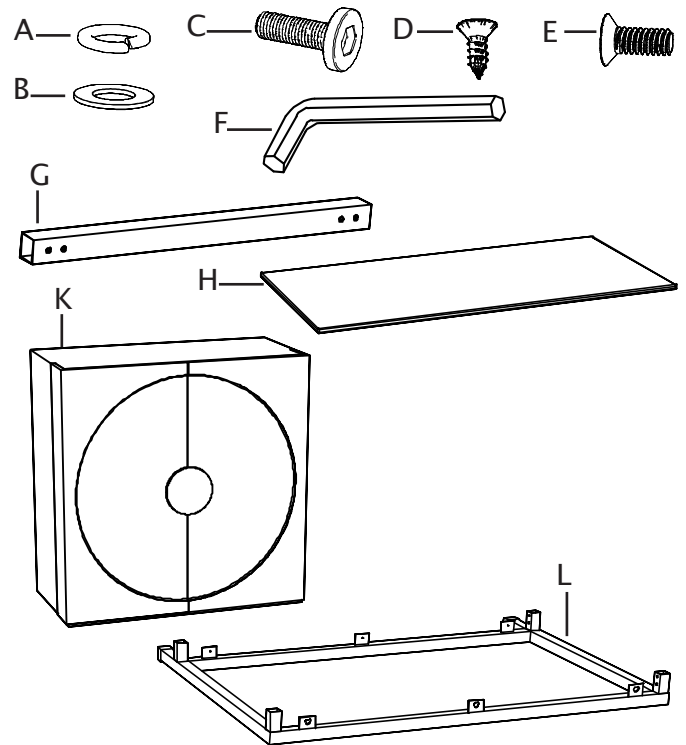
PACKAGE CONTENTS

Parts	Quantity
A LOCK WASHER	8
B FLAT WASHER	8
C HEX SCREW	6
D SCREW	6
E MACHINE SCREW	16
F HEX WRENCH	1
G BAR	4
H SHELF	1
K CABINET	1
L BASE FRAME	2

NOTES:

Two-person assembly.

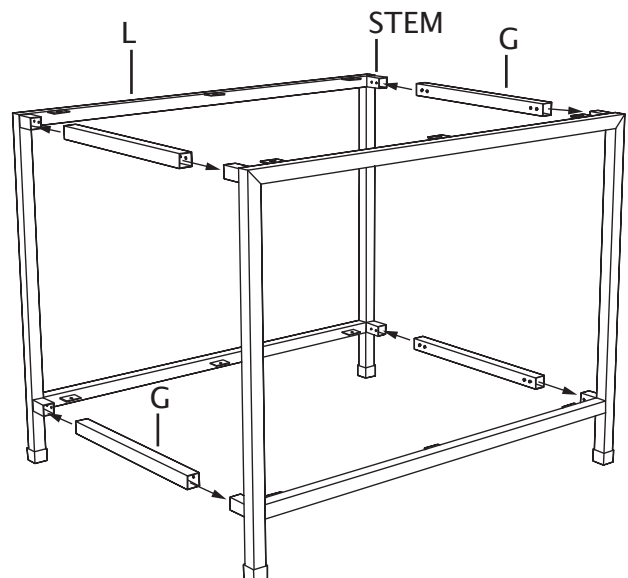
Approx. assembly time: 60 minutes



ASSEMBLY

IMPORTANT: It is recommended to place a blanket, cardboard or other cushioning material on the floor to prevent damage to floor and furniture piece.

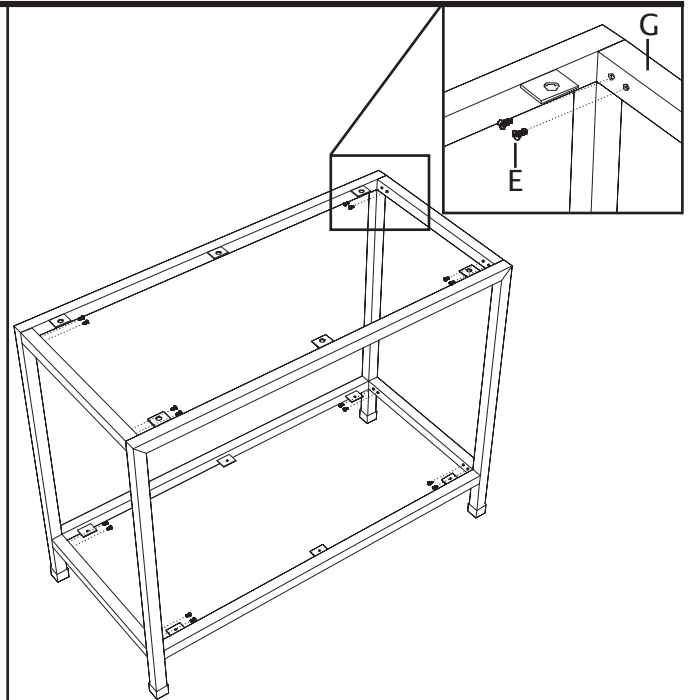
1. Thoroughly clean all wood surfaces with a soft, dry cloth before assembling.
2. Place one base frame (L) upright on floor on top of cushioning material.
3. Hold one bar (G) so holes at each end of bar (G) are facing inward. Insert one end of bar (G) over bottom stem on one base frame (L). Ensure holes in bar (G) align with holes in stem on base frame (L).
4. Hold one bar (G) so holes at each end of bar (G) are facing inward. Insert one end of bar (G) over top stem on the base frame (L) from step 3. Ensure holes in bar (G) align with holes in stem on base frame (L).
5. Repeat steps 3 and 4 to attach remaining bars (G) to other side of base frame (L).
6. Place second base frame (L) upright on floor on top of cushioning material. Position base frame (L) so stems on base frame (L) are facing inward towards bars (G) on first base frame (L).
7. Insert stems on top and bottom of second base frame (L) into ends of bars (G) on first base frame (L).



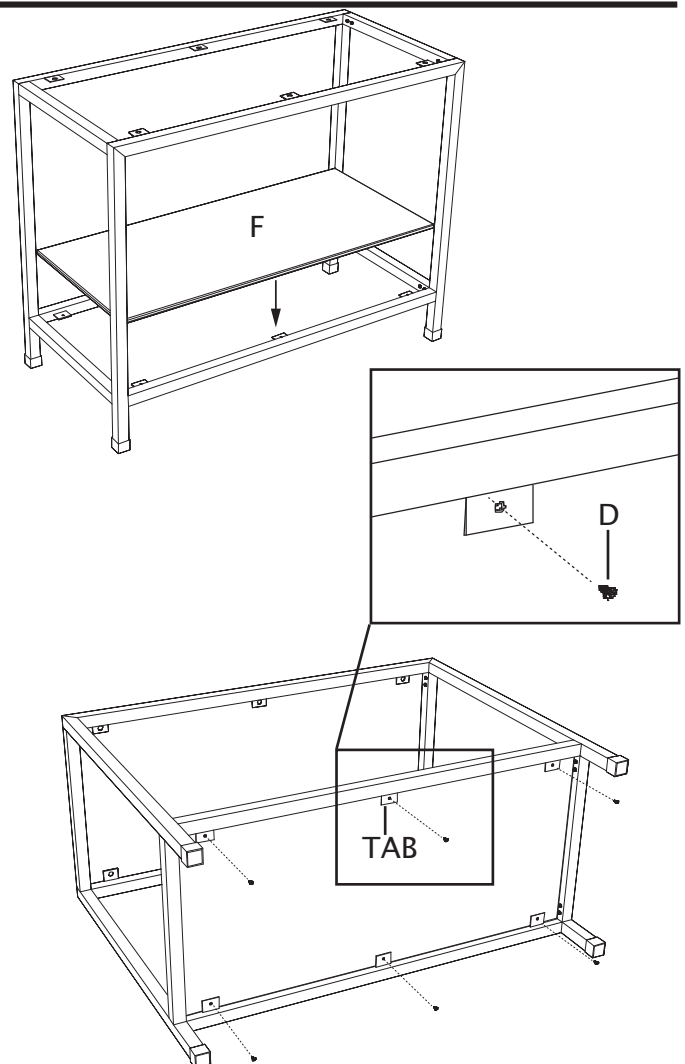
H0015-10229

Gabe Bar Cabinet

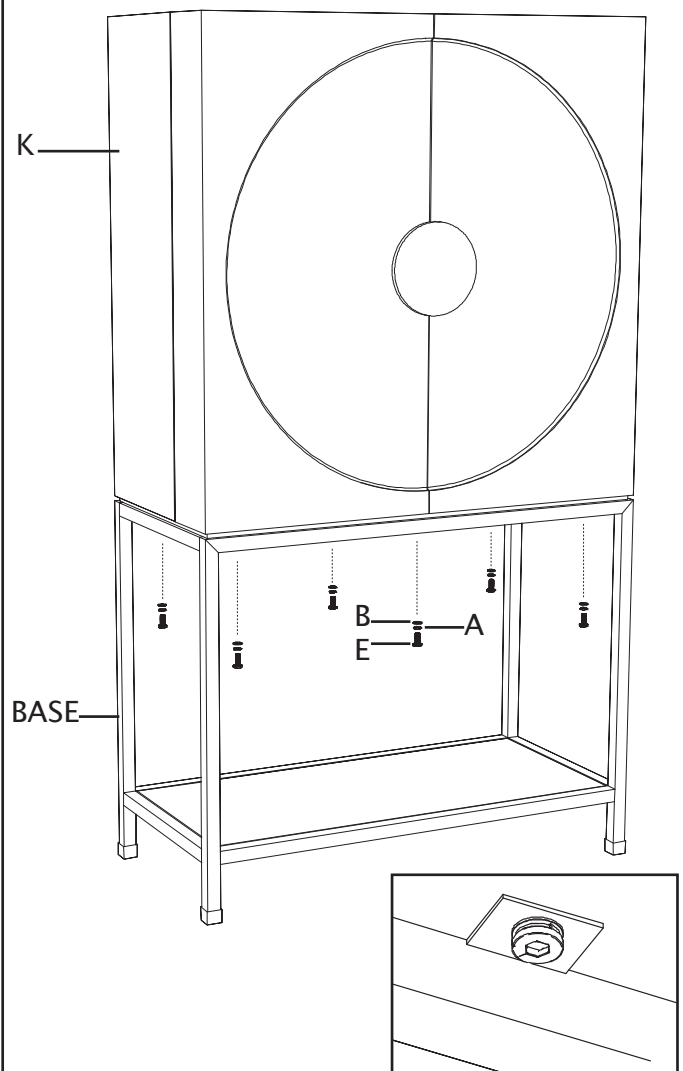
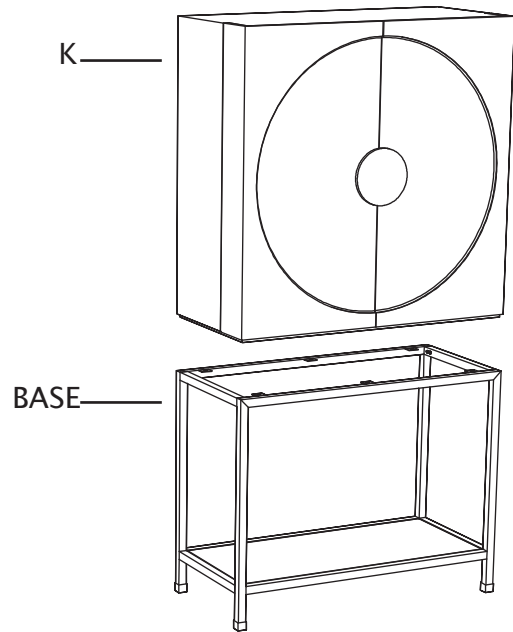
- Align holes in bars (G) with holes in stems on base frames (L).
- Thread one machine screw (E) into each hole in bars (G) and into holes in base frames (L). **DO NOT** fully tighten machine screws (E). This will be done after all assembly is complete.

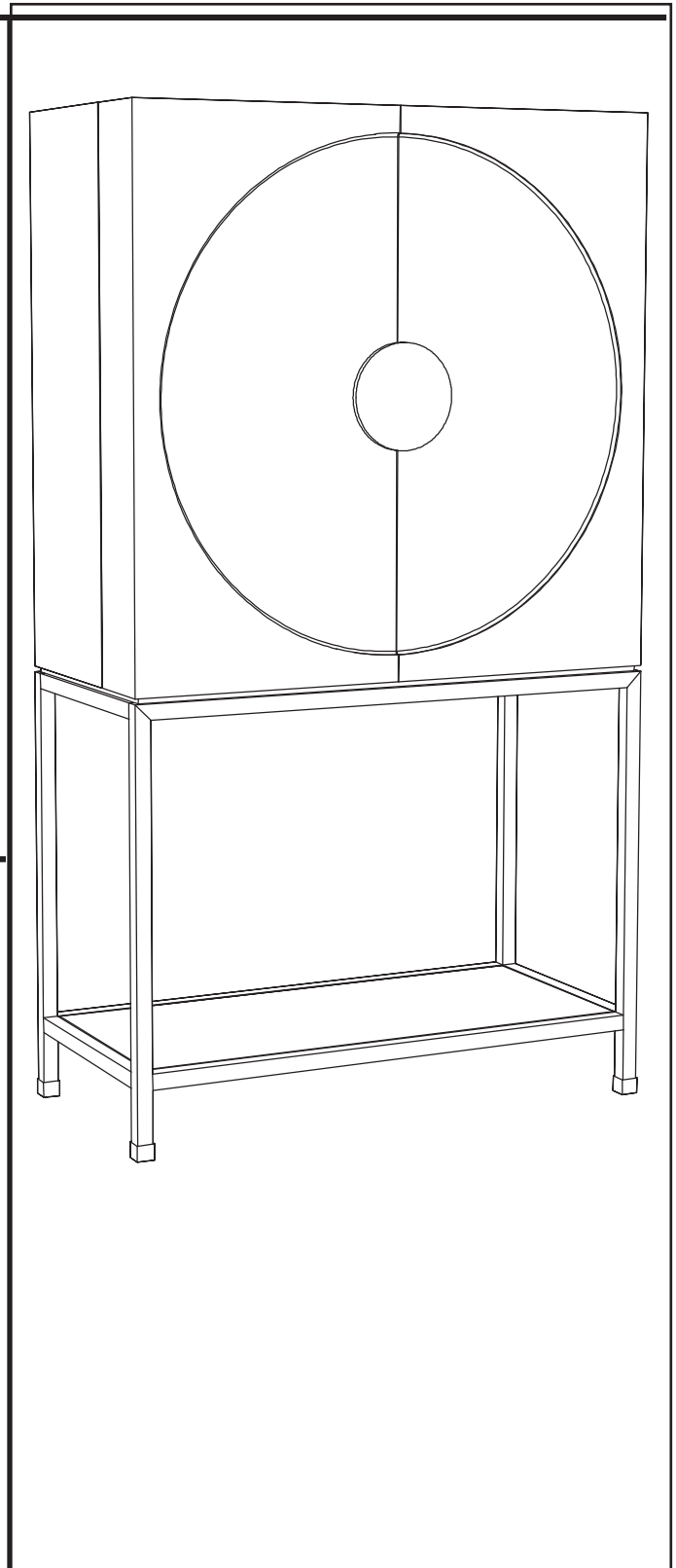


- Place shelf (F) on top of tabs on lower base.
- Holding shelf (F) in place, carefully lower base assembly to floor on top of cushioning material. Place base assembly on long side.
- Holding shelf (F) in place, thread one screw (D) into each hole in tabs on lower base. **DO NOT** completely tighten screws (D). This will be done after all assembly is complete.



13. Place base assembly upright on floor on top of cushioning material.
14. Carefully place cabinet (H) on top of base assembly.
15. From underside of cabinet (H), align holes in underside of cabinet (H) with holes in tabs along top of base.
16. Slip one lock washer (A) then one flat washer (B) over the end of each hex screw (C).
17. Thread one hex screw (C) with washers (A/B) into each hole in each tab and into holes in underside of cabinet (H). DO NOT completely tighten hex screws (C). This will be done after all assembly is complete.
18. After all hex screws (C) have been installed, using hex wrench (F), completely tighten all hex screws (C).
19. Completely tighten machine screws (E) and screws (D).
20. Carefully place bar cabinet into permanent location.





IMPORTANT: During the life of the product, periodically check all screws and fixings to ensure they are secure.

CARE AND CLEANING

- Before using, wipe with a clean, dry cloth.
- If furniture piece contains glass, clean glass with cleaning products specified safe to use on glass.
- Dust and clean furniture with a clean, non-colored, lint-free cloth.
- Do not use any cleaners with chemicals, solvents or harsh abrasives.
- Do not put hot items directly on furniture surface.
- Do not place furniture in direct sunlight.
- Do not place furniture near heating or cooling vents.
- Do not write on furniture without a padded barrier to protect the surface.
- Do not place furniture outside. For indoor use only.
- Any liquid spilled on the table should be cleaned up immediately using a damp cloth.
- Avoid rubbing or scratching the surface with rough or abrasive objects.

PLEASE KEEP INSTRUCTIONS FOR FUTURE REFERENCE.

MADE IN CHINA

INSTRUCTIONS FOR LEVELING CABINET

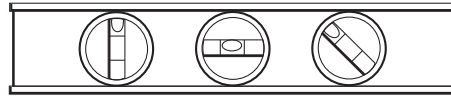
These steps must be completed to ensure the doors of the cabinet operate properly.

TOOLS REQUIRED (NOT INCLUDED):

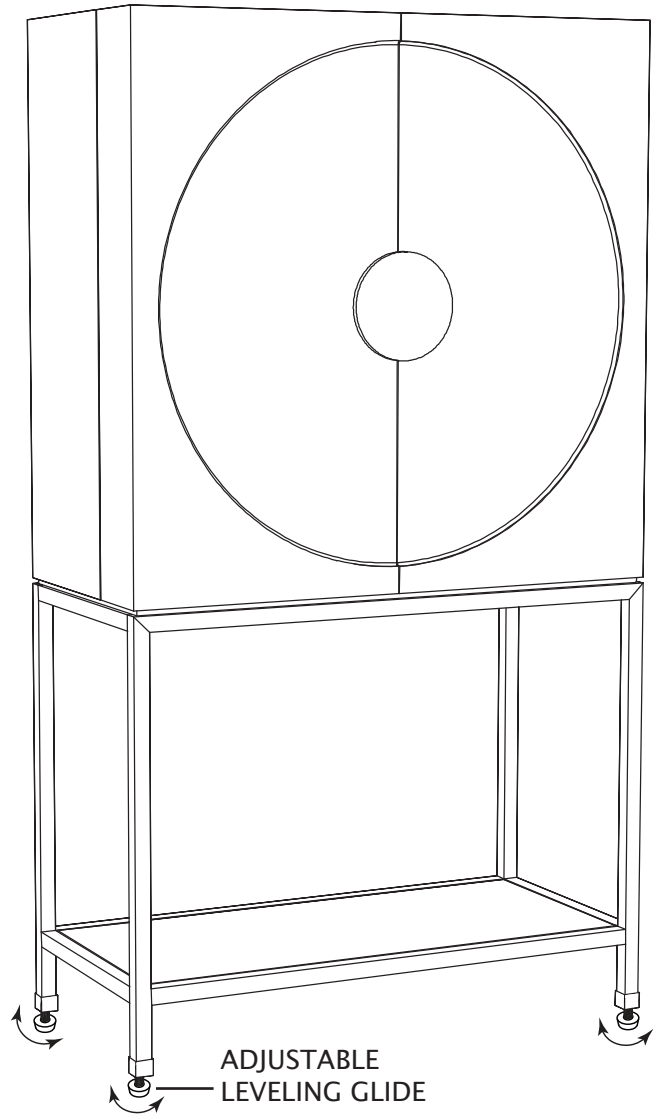
For cabinet with adjustable leveling glides:

- Bubble level

BUBBLE LEVEL



1. Position the cabinet in the desired location.
2. Place the level on the top of the cabinet along the width (left to right) of the cabinet and adjust the front adjustable leveling glides until the bubble in the level is centered.
3. Place the level on the top of the cabinet along the depth (front to back) of the cabinet and adjust the rear adjustable leveling glides until the bubble in the level is centered.
4. Check for plumb in both directions and adjust the leveling glides if necessary.



IMPORTANT

Read all instructions before assembling.

WARNING: To avoid damages, assemble the product on a soft, clean surface.

CAUTION: Keep small parts out of reach of children.

Before assembly, remove all parts and part packages from carton. If anything is missing or damaged, please contact the retailer from which the product was purchased or contact customer service, 800-613-3261.

elk HOME

ANY QUESTIONS CALL: 800-613-3261
M-F 8:00AM-6:00PM ET

H0015-10229
Gabe Bar Cabinet
Anti-tip Kit

PACKAGE CONTENTS

Anti-Tip Kit Parts		Quantity
A	ANTI-TIP BRACKET	2
B	ANTI-TIP STRAP	1
C	LONG SCREW	1
D	SHORT SCREW	1

NOTES:

Two-person assembly.

Approx. assembly time: 20 minutes

ASSEMBLY

1. Locate a wall stud that is in the desired area on the wall of the cabinet. With a pencil, mark on the wall the location of the wall stud. **CAUTION:** If the bracket (A) will not be installed into a wall stud, a wall anchor (not included) should be used.
2. Place the bracket (A) at the location of the wall stud approximately 2 inches below the top of the cabinet. Mark the placement of the hole in the bracket on the wall with a pencil.
3. Using an appropriately sized drill bit for the long screw (C), drill a pilot hole at the marked location on the wall.
4. Place bracket (A) on wall with the hole in the bracket (A) over the hole. Thread long screw (C) into the hole in the bracket (A) and into the wall. Tighten long screw (C) to secure the bracket (A) to the wall.
5. Place the second bracket on the back of the cabinet at the top center. Ensure the position of the bracket (A) is aligned with the bracket (A) on the wall.
6. Thread the short screw (D) through the hole in the bracket (A) and into the back of the cabinet.
7. Carefully set the cabinet in permanent location in front of the bracket (A) on the wall. Ensure bracket (A) on back of cabinet is aligned with bracket (A) on wall.
8. Slip pointed end of the anti-tip strap (B) down through the hole in the bracket (A) on cabinet then up through the hole in the bracket (A) on the wall. Slip the pointed end of the anti-tip strap (B) through the hole in the other end of the anti-tip strap (B). Tighten anti-tip strap (B) to secure cabinet in place.

