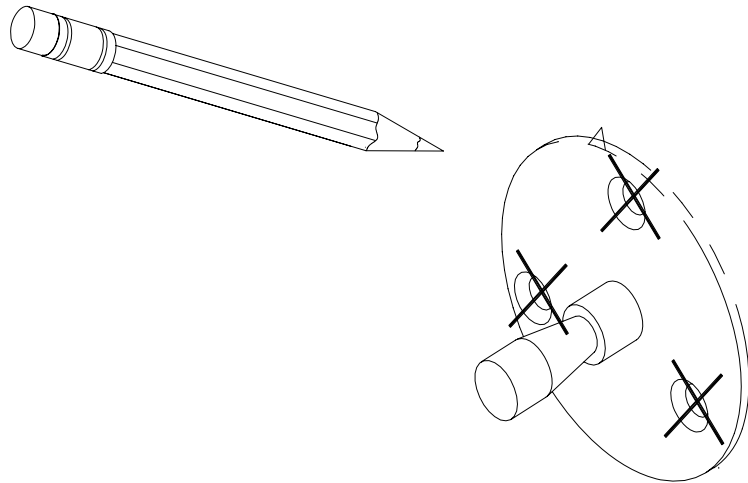
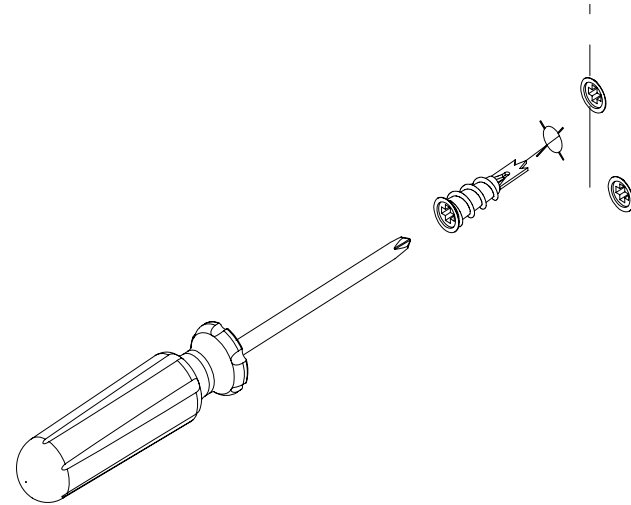


# Hook - Installation Instructions

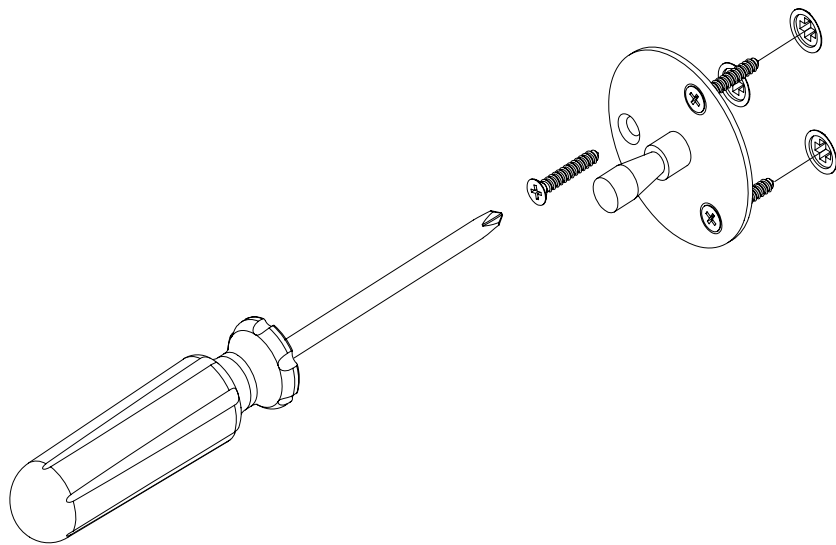
Use mounting plate as a template to mark location of screw holes.



Use the marks as a guide to install three Screw Anchors (provided) into the wall.



Place mounting plate on top of the Screw Anchors and install it with the sheet metal screws provided.



Slip trim plate and hook over the stud on the mounting plate. Tighten set screw at base of post with allen wrench provided.

Trim plate varies depending on style.

