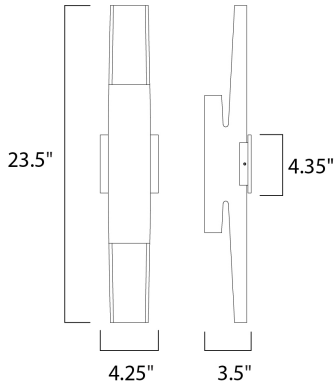




PRODUCT DESCRIPTION

Bring the outdoors inside with our line of Architectural high quality interior and exterior wall sconces. European in design and machined out of blocks of solid Aluminum, these sconces have both the look and quality expected for the discriminate buyer. High powered LEDs create dramatic light effects and most are approved for wet location applications.





MEASUREMENTS

- DIMENSION : 4.25" W x 23.5" H x 3.5" Ext
- BACK PLATE : 4.35" W x 4.35" H x 11.75" HCO
- HANGING WEIGHT : 4.62 lb

LAMPING

- LUMENS : 560 Rated (480 Del.)
- BULB : 2 x 4W LED PCB Integrated , 8W Total
- BULB INCLUDED : (Integrated)
- DIMMABLE : Electronic Low Voltage (ELV)
- CRI : 90+ CRI
- COLOR_TEMP : 3000K

FINISHES OPTION

-  Bronze
-  White

MATERIAL

Aluminum

RATINGS

cETLus
Wet Location
For Outdoor
ADA



ADDITIONAL

INSTALL UP/DOWN: All
OPERATING TEMPERATURE:
-20°C (-4°F), 40°C (104°F)

Always consult a qualified electrician before installing any lighting product.



WESTERN DISTRIBUTION CENTER (HEADQUARTER)
253 NORTH VINELAND AVE | CITY OF INDUSTRY, CA 91746
EASTERN DISTRIBUTION CENTER
4200 SHIRLEY DR. | ATLANTA, GA 30336
P. 626.956.4200 | F. 626.956.4225 | et2online.com