

ACCENTO PROFESSIONAL 36"

36" ALL GAS PROFESSIONAL RANGE



CODE ID



F4PGR366S2



Heavy Duty Grates



Continuous Grate Surface



Dual Crescendo Burner



Dual Convection



Cool Touch Door



Multi-level cooking



Digital minute minder

COLOR KIT

| | |
|--|----------------------|
| | STAINLESS STEEL |
| | MATTE BLACK RAL 9004 |
| | MATTE WHITE RAL 9016 |
| | GLOSSY RED RAL 3003 |

OPTIONAL ACCESSORIES

| | |
|--------------|-----------------|
| ACDKIT36 ... | Color kit |
| FMWOK | Wok ring |
| FMSIM | Simmer plate |
| F6BG36BCI | Island trim |
| F6BG36STD | Standard trim |
| F6BG36HBT | High back trim |
| FMGRID36 | Griddle |
| FMTRP36 | Telescopic rack |
| F6BG36ISL | 1" Island trim |

COOKING SURFACE

3 Heavy Duty, continuous cast iron grates
One piece, matte finish porcelain burner bowl
3 Dual-Flame Crescendo Burners
3 X 18,000 BTU max (NG)
3 Rapid Burners
3 X 15,000 BTU max (NG)
Natural Gas (LP convertible)

OVEN

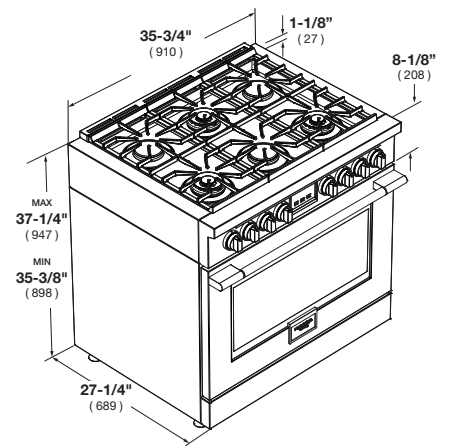
Dual Convection
Black Porcelain enamel interior
Cool to the touch door
Extra-large baking cavity and viewing area
3 Halogen lights for flawless visibility
Gross capacity 5.7 cu. ft.
2 chrome racks
Enameled Grill set

OVEN FUNCTIONS

Bake
Broil
Convection
Dehydrate
Timer

ACCENTO

36" ALL GAS PROFESSIONAL RANGE



| CODE ID | F4PGR366S2 - 36" ALL GAS PROFESSIONAL RANGE | | |
|---|--|---------------------|----------------------------|
| Series and Finish | 400 Series - Professional Design - Stainless Steel | | |
| CONTROL PANEL | | | |
| Control Type | Valve | | |
| Clock Display | • | | |
| COOKTOP | | | |
| Cooking Surface | Matte Black Enameled | | |
| Type | GAS (NG or LP) | | |
| GAS COOKTOP FEATURES | | | |
| | Electric Flame and Re-ignition | Top Mount Injectors | Dual Crown Aluminum Burner |
| | Flame-out sensing | L.P. Conversion Kit | Pressure Regulator |
| Heavy Duty Cast Iron Grates | 3 | | |
| Cooking Zones | 6 | | |
| Burners types | Dual Flame/Rapid Burners | | |
| Power Front L+R (Max/Min) G20 - 5" (NG) | 18000 (BTU/h) - 5300W / | 950 (BTU/h) - 275W | |
| Power Rear L+R (Max/Min) G20 - 5" (NG) | 15000 (BTU/h) - 4400W / | 2200 (BTU/h) - 645W | |
| Power Front Middle (Max/Min) G20 - 5" (NG) | 15000 (BTU/h) - 4400W / | 2200 (BTU/h) - 645W | |
| Power Rear Middle (Max/Min) G20 - 5" (NG) | 18000 (BTU/h) - 5300W / | 950 (BTU/h) - 275W | |
| Power Front L+R (Max/Min) G31 - 10" (LP) | 15000 (BTU/h) - 4400W / | 950 (BTU/h) - 275W | |
| Power Rear L+R (Max/Min) G31 - 10" (LP) | 12000 (BTU/h) - 3500W / | 2200 (BTU/h) - 645W | |
| Power Front Middle (Max/Min) G31 - 10" (LP) | 12000 (BTU/h) - 3500W / | 2200 (BTU/h) - 645W | |
| Power Rear Middle (Max/Min) G31 - 10" (LP) | 15000 (BTU/h) - 4400W / | 950 (BTU/h) - 275W | |
| OVEN | | | |
| Type | Multifunction 2 Fans (True Euro Conv.) | | |
| Temperature Regulation | Thermostat | | |
| Injection Oven | T-Zero | | |
| OVEN FUNCTIONS | | | |
| | Down Bake | Broil | |
| GAS OVEN FEATURES | | | |
| | Electronic Flame Ignition | Gas safety devices | L.P. Conversion Kit |
| | Flame-out Sensing | | |
| OVEN DOOR(S) | | | |
| Oven Glass Window | Deep Embossed Window | | |
| Door Cooling System | 4 Pane Heat Resistant Glasses | | |
| Door Hinges | Heavy Duty Steady Tilt | | |
| Handle Style | Stainless Steel Tube \varnothing 30mm, Metal terminals | | |
| OVEN CAVITY | | | |
| Gross Capacity (cbft) | 5.7 | | |
| Cavity Enamel Color | Black | | |
| Rack Positions | 6 | | |
| Oven Lights | 3x20W Halogen | | |
| BOTTOM BURNER | | | |
| Power (Max) G20 - 5" | 21500 (BTU/h) - 6300W | | |
| Power (Max) G31 - 10" | 21500 (BTU/h) - 6300W | | |
| GRILL BURNER | | | |
| Power (Max) NG | 18000 (BTU/h) - 5300W | | |
| Power (Max) LP | 17000 (BTU/h) - 5000W | | |
| OVEN ACCESSORIES | | | |
| Chrome Racks | 2 racks without frontal bend | | |
| Enameled Grill set (basin + anti splash) | 1 | | |
| Telescopic Chrome Rack | only as optional ACCESSORY | | |
| DIMENSIONS/WEIGHT | | | |
| Overall dim - Width | 29 - 3/4" | 758 mm | |
| Overall dim - Height (min - max) | 35 - 3/8", 37 - 1/4" | 898 mm - 947 mm | |
| Overall dim - Depth | 29 - 3/4" | 756 mm | |
| POWER / RATINGS (120 V, 60 HZ) | | | |
| KW/Amps rating rating at 120V, 60Hz | 600W - 5A | | |
| Cable + Plug | Nema 5-15P | | |
| INSTRUCTIONS FOR USE | | | |
| Use & Care Manual / Installation Manual | English / French / Spanish | | |