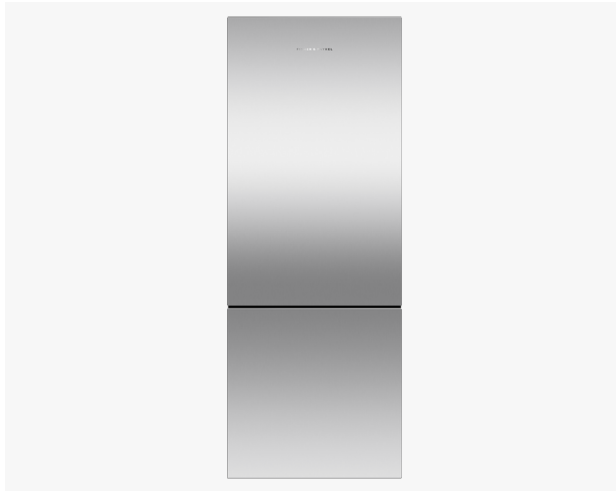


Freestanding Refrigerator Freezer, 25", 13.5 cu ft

Series 5 | Contemporary

Stainless Steel | Right Hinge

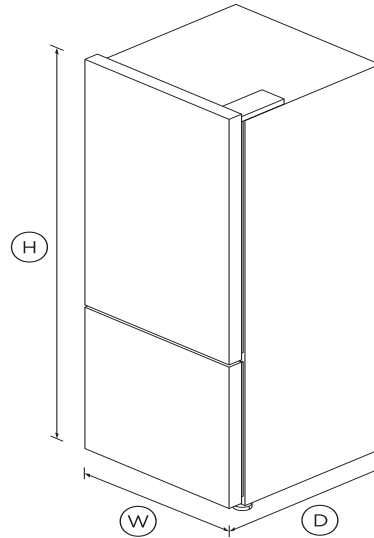


With generous storage and stylish stainless steel design with concealed handles for a more streamlined look.

- ActiveSmart™ helps keep food fresher for longer
- Ultra flat door conceals handles for a streamlined look
- Bottom freezer

DIMENSIONS

| | |
|--------|---------|
| Height | 67 3/4" |
| Width | 25" |
| Depth | 27 3/8" |



FEATURES & BENEFITS

ActiveSmart™ Foodcare

ActiveSmart™ Foodcare learns how you live. It's technology which understands how you use your fridge and adjusts temperature, airflow and humidity inside to help keep food fresher for longer.

Easy cleaning

No more permanent dirty marks with our EZKleen feature for stainless steel refrigerators. Anti-fingerprint coating means you simply wipe clean any marks. Spill-safe secure glass shelves

easily capture any drips or leaks.

Humidity control

Your fruit and veges need different environments. The humidity control slides in each storage bin create a microclimate that helps keep food fresher for longer.

Design quality

Our refrigerators are designed and built using quality materials. We use real stainless steel on our refrigerators and solid glass for shelving.

Clever energy

Your refrigerator adapts to daily use by cooling and defrosting only when needed. This means your refrigerator uses the energy it needs without compromising on food care.

SPECIFICATIONS

Accessories

| | |
|---------------------------|-------|
| Contemporary round handle | 25378 |
|---------------------------|-------|

Capacity

| | |
|---------------------|----------|
| Volume freezer | 4cu ft |
| Volume refrigerator | 9.5cu ft |

Consumption

| | |
|--------------|-------------|
| Energy usage | 461kWh/year |
|--------------|-------------|

Features

| | |
|--------------------------|---|
| Adjustable door shelves | 3 |
| Adjustable glass shelves | 4 |
| Covered door shelves | 2 |
| Door alarm | • |
| Front levelling feet | • |

| | |
|----------------------------|---|
| Fruit and vegetable bins | 2 |
| Full extension runners | • |
| LED lighting | • |
| Rear rollers | • |
| Spill proof removable bins | • |
| Stackable bottle holders | 2 |

Freezer Features

| | |
|--------------------|---|
| Bottle chill | • |
| Fast freeze | • |
| Large plastic bins | • |

Performance

| | |
|-------------------------|---|
| ActiveSmart™ Foodcare | • |
| ActiveSmart™ technology | • |
| Adaptive defrost | • |
| Frost free | • |
| Sabbath mode | • |

Product dimensions

| | |
|---------------------------------|---------|
| Depth | 27 3/8" |
| Height | 67 3/4" |
| Minimum air clearance - at rear | 1 3/16" |
| Minimum air clearance - each | 1 3/16" |
| Minimum air clearance - on top | 2" |
| Width | 25" |

Warranty

| | |
|-------------------------------|--------------------|
| Parts and labor | 2 years |
| Sealed system parts and labor | additional 3 years |

SKU 26278

The product dimensions and specifications in this page apply to the specific product and model. Under our policy of continuous improvement, these dimensions and specifications may change at any time. You should therefore check with Fisher & Paykel's Customer Care Centre to ensure this page correctly describes the model currently available. ? Fisher & Paykel Appliances Ltd 2020



A PEACE OF MIND SALE

24 Hours 7 Days a Week Customer Support

T 1.888.936.7872 Wwww.fisherpaykel.com