

Electric Range 30" - Ceramic Radiant

Series 7 | Contemporary

Stainless Steel

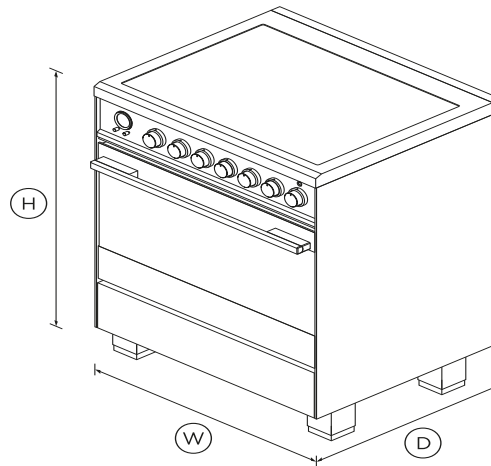


A refined electric range with multiple oven functions for perfect cooking of anything from a large roast to baking bread and pastry.

- Electric radiant cooktop with four cook elements
- Nine oven functions including Roast, Aero™ Pastry with Pizza mode, and Rapid Proof for baking bread
- High-temperature self-cleaning function breaks down food residue for an easy clean

DIMENSIONS

| | |
|--------|---|
| Height | 35 ³ / ₄ - 37 ⁵ / ₈ " |
| Width | 29 ⁷ / ₈ " |
| Depth | 25 ¹ / ₄ " |



FEATURES & BENEFITS

Cooking flexibility

Accurate, electronically-controlled oven heat, ensures a great result every time with 9 functions and pre-set temperatures including bake, grill, pastry bake with pizza mode and fan forced, for a variety of cooking styles.

A modern legacy

A refined, minimalist style with attention to the smallest details. High-performance cooking technology offers multiple cooking functions.

Quality and durability

Every detail has been carefully crafted. The solid, perfectly balanced soft-close door, machined stainless dials and glowing halo dials all add up to an exceptional, premium range.

Large capacity oven

The generous 3.5 cu.ft total capacity oven gives you plenty of space to cook multiple dishes at once, with enough room to fit a 26 lb turkey.

Easy to clean

Cleaning up spills is effortless. The flat ceramic cooktop is easily wiped after use, and the self-cleaning oven breaks down food residue at a very high temperature leaving a light ash that's easily removed with a damp cloth.

Even heat

Accurate, electronically-controlled oven heat ensures a great result every time. Dishes on the top shelf turn out as perfectly as the ones on the bottom due to our AeroTech™ convection system that circulates air evenly throughout the entire oven.

SPECIFICATIONS

Accessories

| | |
|----------------------------------|---------------------|
| 2-pc grill system (Broil pan and | • |
| Broil pan | • |
| Hob rear trim (optional) | 3 1/8" (part 81656) |
| Kick strip, stainless steel | Part 81660 |

Capacity

| | |
|----------------|-----------|
| Total capacity | 3.5 cu ft |
|----------------|-----------|

Cleaning

| | |
|--------------------------------|---|
| Acid resistant graphite enamel | • |
| Drop down grill element | • |

- Flat easy clean glass surface
- Pyrolytic proof shelf runners
- Pyrolytic self-clean
- Removable oven door
- Removable shelf runners

Controls

- Audio feedback
- Automatic cooking/minute
- Automatic pre-set
- Celsius/Fahrenheit
- Electronic clock
- High resolution display
- Interior light
- Laser etched graphics
- Precise electronic temperature
- Sabbath mode
- Toughened fused glass
- Turned stainless steel clock
- Turned stainless steel dials

Oven features

- AeroTech™ technology
- Automatic rapid pre-heat
- Concealed element
- Electronic oven control
- Full extension telescopic **2 sets (part 578776)**
- Internal light **2 x 25W halogen (rear)**
- Pyrolytic proof shelf runners
- Self-cleaning

- Soft open/close door
- True convection

Oven functions

- Aero Bake
- Aero™ Pastry with Pizza mode
- Maxi Broil
- Number of functions **9**
- Rapid proof
- Roast

Oven performance

- Combined warming/Storage **220W**
- CoolTouch door **Triple glazed**
- Warming drawer power **220W**

Power requirements

- Amperage **50A**
- Supply frequency **60Hz**
- Supply voltage **208 - 240V**

Product dimensions

- Depth **25 1/4 "**
- Height **35 3/4 - 37 5/8 "**
- Installation cutout dimensions **25 1/4 "**
- Installation cutout dimensions **30 "**
- Width **29 7/8 "**

Rangetop Performance

- Left front zone rating **1200W**

- Left rear zone rating **2100W**
- Number of burner elements **4**
- Right front zone rating **2100W**
- Right rear zone rating **1200W**

Safety

- Advanced cooling system
- Anti-tilt bracket
- Balanced oven door
- Catalytic venting system
- CoolTouch door
- Full extension telescopic
- Non-tip shelves
- Spill containment **1/8 gallon**

Warranty

- Parts and labor **2 years**


SKU 81721


TEST The product dimensions and specifications in this page apply to the specific product and model. Under our policy of continuous improvement, these dimensions and specifications may change at any time. You should therefore check with Fisher & Paykel's Customer Care Centre to ensure this page correctly describes the model currently available. ? Fisher & Paykel Appliances Ltd 2020

Other product downloads available at fisherpaykel.com

 [User Guide](#)

 [Service & Warranty Booklet](#)

 [Installation Guide](#)

 [Resources \(zip\)](#)



A PEACE OF MIND SALE

24 Hours 7 Days a Week Customer Support

T 1.888.936.7872 **W**www.fisherpaykel.com