

# Convection Speed Oven 24"

Series 9 | Contemporary

Stainless Steel

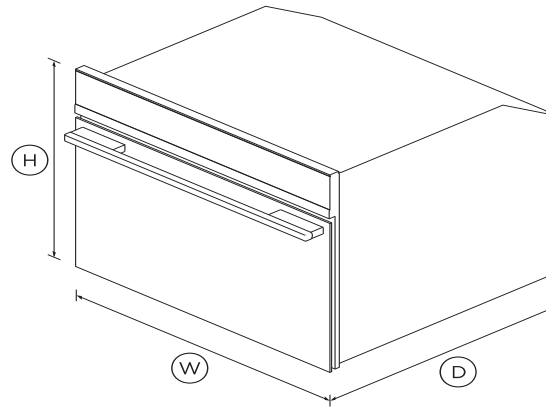


The perfect addition to the kitchen, this Convection Speed Oven provides a variety of fast cooking options including True Convection and Broil.

- 1.3 cu ft total capacity
- Intuitive display with nine oven functions
- Full width grill function
- Easy clean interior

## DIMENSIONS

Height	18 1/16"
Width	23 1/2"
Depth	22 1/8"



## FEATURES & BENEFITS

### SIZED TO SUIT

This compact 24" Convection Speed Oven can be placed almost anywhere. Companion products share the same dimensions and can be installed in multiple configurations to suit your kitchen design and preference.

### COOKING FLEXIBILITY

Choose from nine cooking modes including True Convection and Broil. With both microwave and convection oven technology in the same oven, you have more flexibility for your culinary creations.

### EASY TO USE

The intuitive touch display shows you all the information you

need, allowing you to easily program in your desired cooking mode and duration.

### BEAUTY OF CHOICE

With the choice of a stylish stainless steel or elegant black trim, our Companion products help you achieve a coherent kitchen aesthetic that suits your design style.

### EASY CLEANING

This Convection Speed Oven has formed side racks and a stainless steel interior that are easy to clean.

### SAFE AND SOUND

The CoolTouch door is safe to touch from the outside, protecting your hands and the surrounding cabinetry.

## SPECIFICATIONS

### Accessories

Baking pan	1
Glass turntable	1
Wire shelf	1

### Accessories (sold separately)

Handle kit Contemporary	Part 81671
Matching Trim Kit	TK30NDB1
Optional lower trim kit	Part 81662

### Capacity

Shelf positions	3
Total capacity	1.3cu ft
Usable capacity	1.2cu ft

### Cleaning

Easy clean stainless steel •

**Consumption**

Microwave energy **1.65kWh**

**Controls**

- Automatic cooking/minute •
- Automatic pre-set •
- Celsius/Fahrenheit •
- Delay start •
- Electronic clock •
- Electronic oven control •
- Guided cooking by food type •
- Halogen lights •
- Intuitive touchscreen display •
- Multi-language display **French, Spanish, UK English,**
- Multi-language interface •
- Precise electronic temperature •
- Recipe and food based •

**Functions**

- Broil •
- Convection Broil •
- Defrost by time •
- Defrost by weight •
- Microwave + broil •
- Microwave + ring •
- Microwave cooking •
- Number of functions **9**
- Ring + broil •

True convection •

**Performance**

Broil power **1500W**

Microwave power **900W**

Microwave power levels **6**

**Power requirements**

Amperage **15A**

Supply frequency **60Hz**

Supply voltage **208 / 240V**

**Product dimensions**

Depth **22 1/8"**

Height **18 1/16"**

Width **23 1/2"**

**Safety**

- ADA compliant •
- Child lock •
- Control panel key lock •
- CoolTouch door •

**Warranty**

Parts and labor **2 years**

SKU **82297**

The product dimensions and specifications in this page apply to the specific product and model. Under our policy of continuous improvement, these dimensions and specifications may change at any time. You should therefore check with Fisher & Paykel's Customer Care Centre to ensure this page correctly describes the model currently available. ? Fisher & Paykel Appliances Ltd 2020

---

Other product downloads available at [fisherpaykel.com](http://fisherpaykel.com)

- [↓](#) User Guide
- [↓](#) Service & Warranty
- [↓](#) Installation Guide
- [↓](#) Installation Guide - Cavity Trim Kit
- [↓](#) Specification Guide Convection Speed Oven
- [↓](#) Data Sheet Convection Speed Oven
- [↓](#) Data Sheet Convection Speed Oven with 30" Trim
- [↓](#) Data Sheet Convection Speed Oven with Bottom Trim
- [↓](#) Planning Guide - Minimal and Contemporary Triple Stack Install



**A PEACE OF MIND SALE**

24 Hours 7 Days a Week Customer Support

T 1.888.936.7872 W [www.fisherpaykel.com](http://www.fisherpaykel.com)