

# Integrated Double DishDrawer™ Dishwasher, Tall, Sanitize

Series 9 | Integrated

Panel Ready



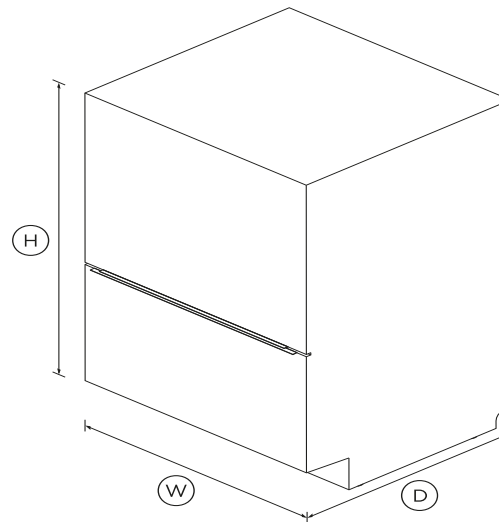
Doing the dishes got easier. Load one drawer while the other washes - with the top drawer fitting your large dinner plates easily.

- Knock to pause function is perfect if you miss a dish
- Six wash programs, as well as additional Quick wash, Sanitize and Extra Dry options
- Built-in water softener improves wash performance by reducing unwanted minerals in the water

- Customize with your own kitchen cabinetry or purchase our stainless steel door panel accessory

## DIMENSIONS

Height	34 - 36 3/8"
Width	23 9/16"
Depth	22 1/2"



## SPECIFICATIONS

### Accessories

- Knife clip and multipurpose

### Accessories (sold separately)

Door panel stainless steel **ADDD24DTPX**

Handle kit Contemporary	<b>AHS-OBDD-60S</b>
Handle kit Contemporary	<b>AHD5-OBDD-60SX</b>
Handle kit Contemporary	<b>AHD3-OBDD-60S</b>
Handle kit Professional round	<b>AHP3-DWDD-SX</b>

## Capacity and loading

Accommodates round plates	<b>12.25" (top) 11" (bottom)</b>
Adjustable height, foldable	•
Fold down tines	•
Pitch adjustable tines	•
Place settings	<b>14</b>
Place settings per drawer	<b>7</b>

## Consumption

Energy rating	<b>Energy star</b>
Energy usage	<b>265kWh/year</b>
Water usage (per wash cycle)	<b>3.44 gal running both tubs</b>

## Controls

- Child lock
- Electronic fault/Diagnostic
- End of cycle beeps
- Energy saving delay start
- Energy saving delay start
- Internal wash selector
- Knock to pause
- Rinse aid indicator light
- Wi-Fi connectivity

## Features

Built-in water softener	•
Fan assisted drying	•
Flow through detergent	•
Motor type	<b>BLDC</b>
Quiet operation	•
SmartDrive™ technology	•

**Performance**

Noise on standard cycle top	<b>44dBA</b>
-----------------------------	--------------

**Power requirements**

Amperage	<b>9.6A</b>
Electric circuit	<b>3 wire</b>
Rated current	<b>15A</b>
Supply frequency	<b>60Hz</b>
Supply voltage	<b>120V</b>

**Product dimensions**

Depth	<b>22 1/2"</b>
Height	<b>34 - 36 3/8"</b>
Width	<b>23 9/16"</b>

**Warranty**

Parts and labor	<b>Limited 2 years</b>
-----------------	------------------------

**Wash Program Modifiers**

Extra Dry	•
Quick	•
Sanitize	•

**Wash Programs**

Delicate	•
Eco	•
Fast	•
Heavy	•
Medium	•
Rinse	•
Wash programs	<b>15</b>

**Water connection**

Supplied hose to suit 3/8"	•
Water pressure	<b>100kPa - 1000kPa</b>
Water supply	<b>3/8" to suit Male Compression</b>

SKU	82337
-----	-------

The product dimensions and specifications in this page apply to the specific product and model. Under our policy of continuous improvement, these dimensions and specifications may change at any time. You should therefore check with Fisher & Paykel's Customer Care Centre to ensure this page correctly describes the model currently available. ? Fisher & Paykel Appliances Ltd 2020

**Other product downloads available at fisherpaykel.com**

- [↓](#) Quick Start Guide
- [↓](#) User Guide DishDrawer™
- [↓](#) Service & Warranty
- [↓](#) Energy Label Integrated Double DishDrawer
- [↓](#) Installation Guide Double DishDrawer™
- [↓](#) Installation Guide Double DishDrawer™
- [↓](#) Data Sheet Integrated Double DishDrawer



**A PEACE OF MIND SALE**

**24 Hours 7 Days a Week Customer Support**

**T 1.888.936.7872 Wwww.fisherpaykel.com**