

FVN62-96-VSL

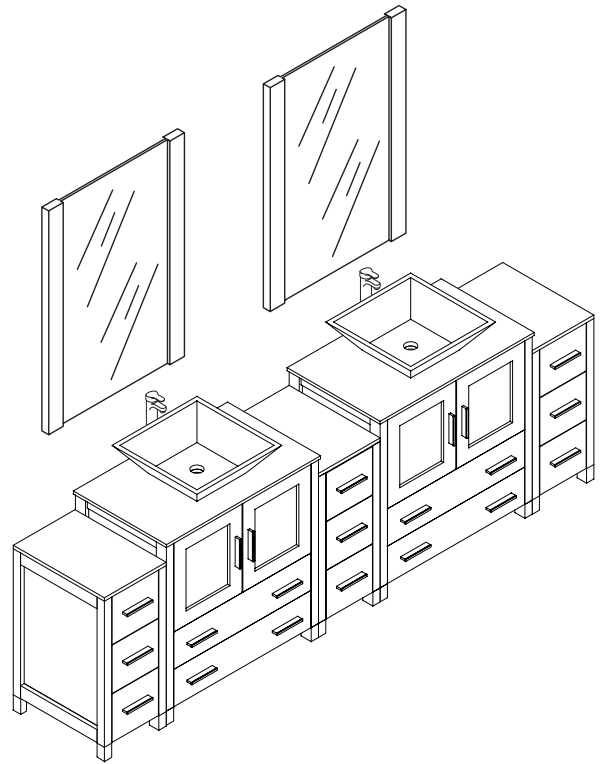
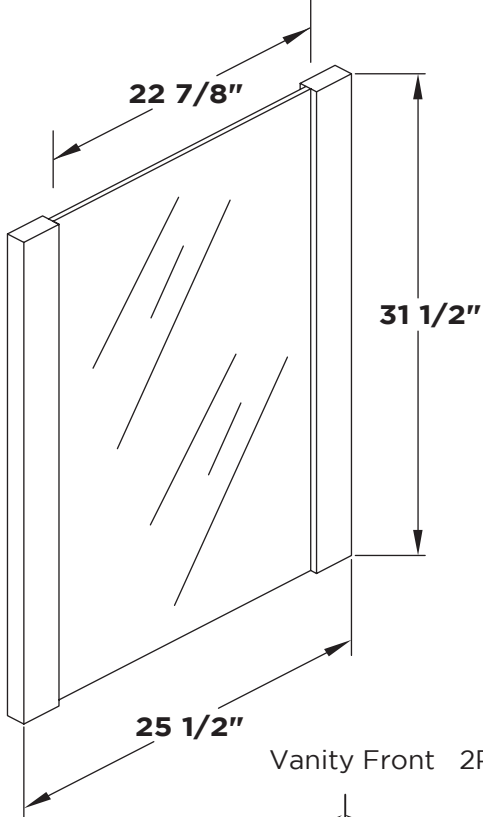
TORINO

INSTALLATION GUIDE



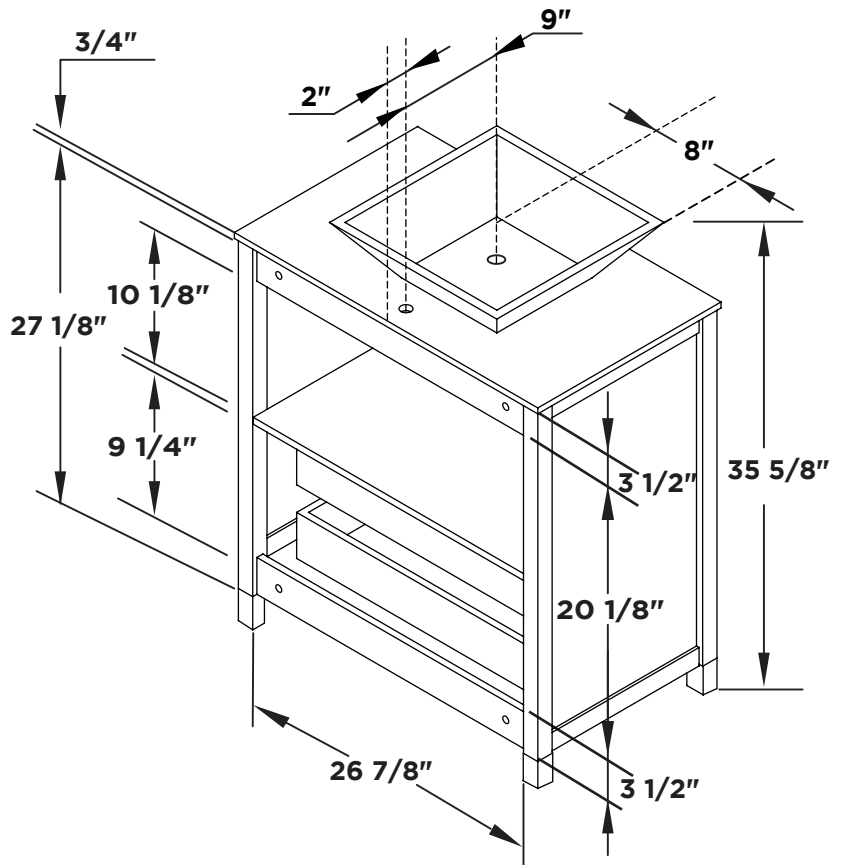
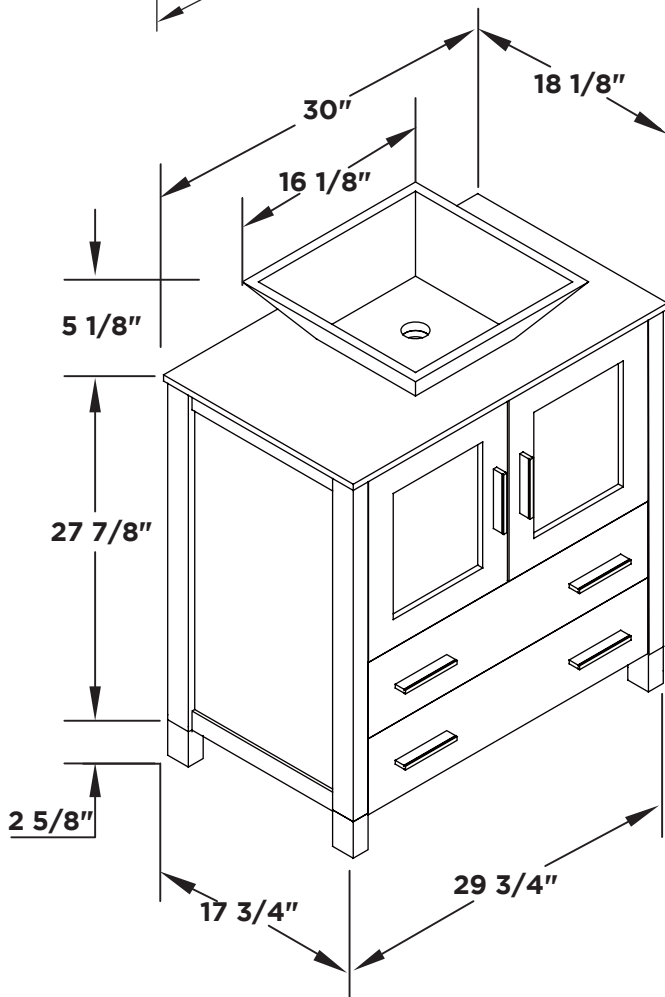
FRESCA

Mirror 2PCS



Vanity Front 2PCS

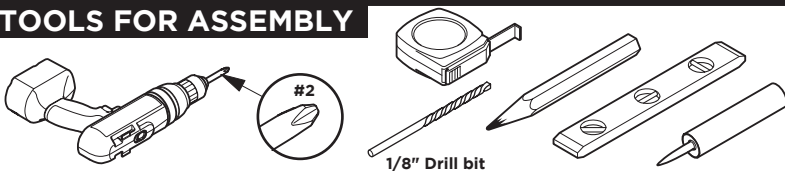
Vanity Back 2PCS



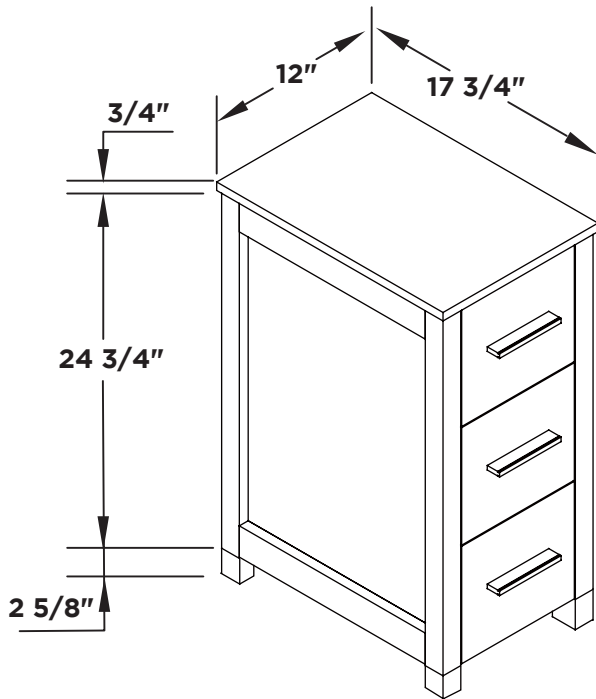
TORINO INSTALLATION GUIDE

PAGE 1

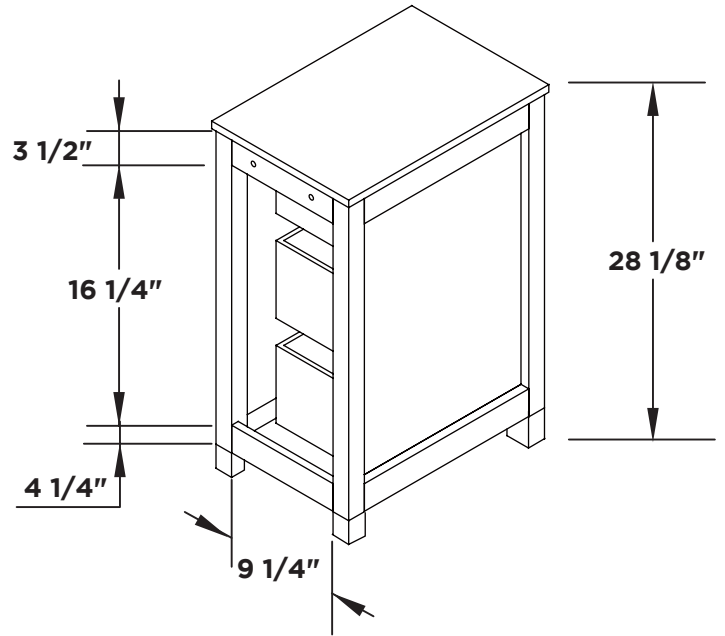
TOOLS FOR ASSEMBLY



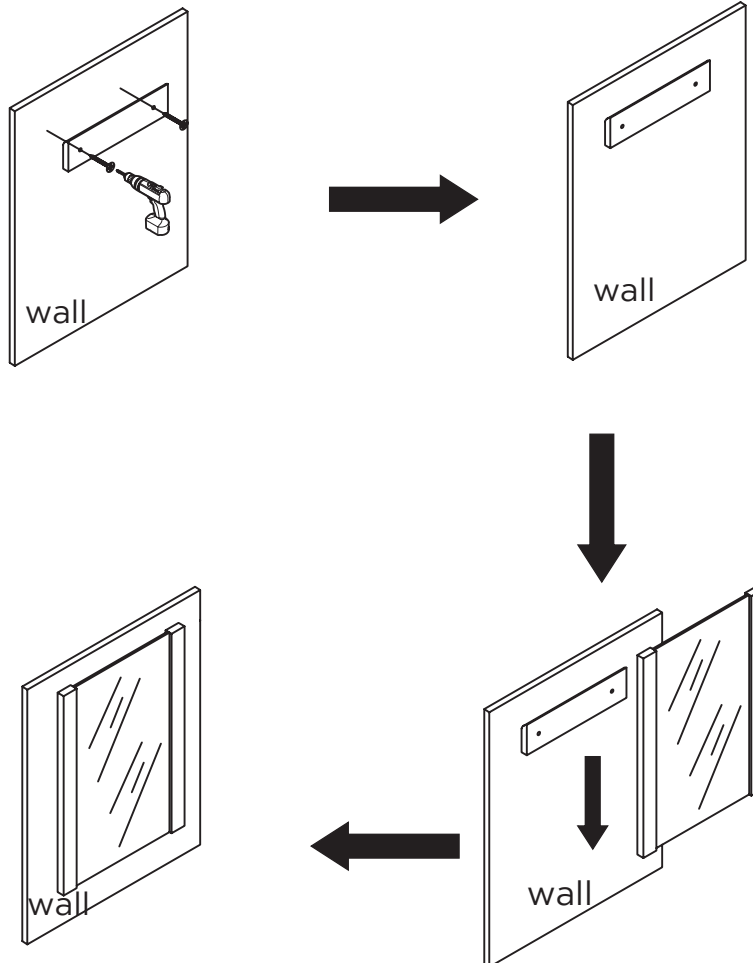
Side Cabinet Front 3PCS



Side Cabinet Back 3PCS

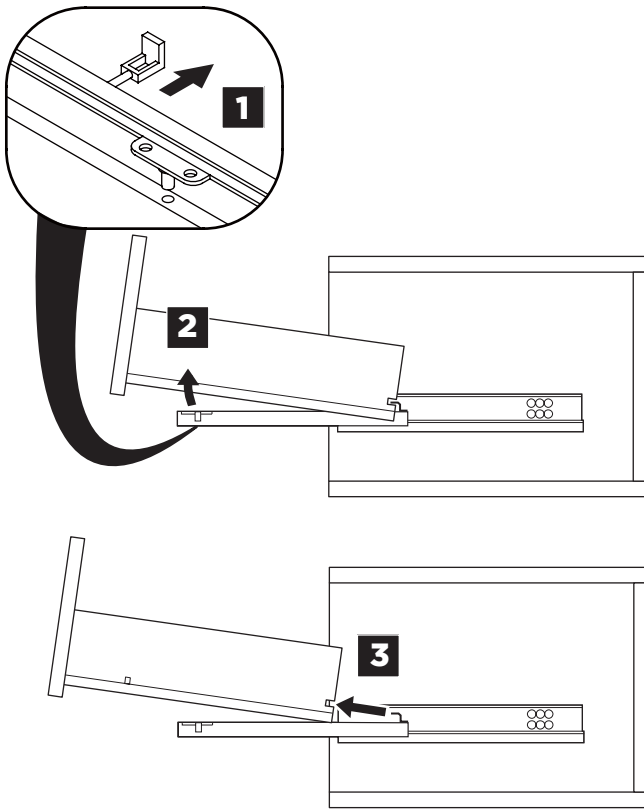


MIRROR INSTALLATION

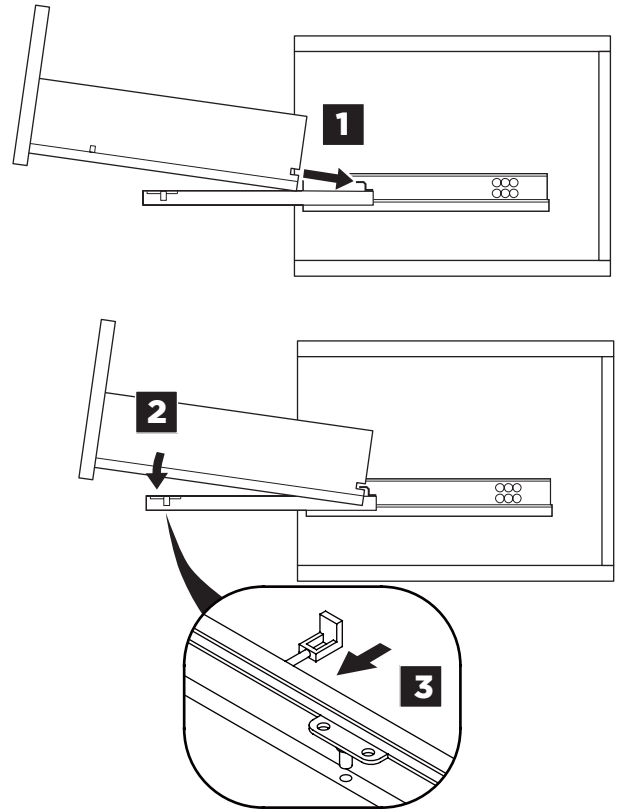


DRAWER REMOVAL & INSTALLATION

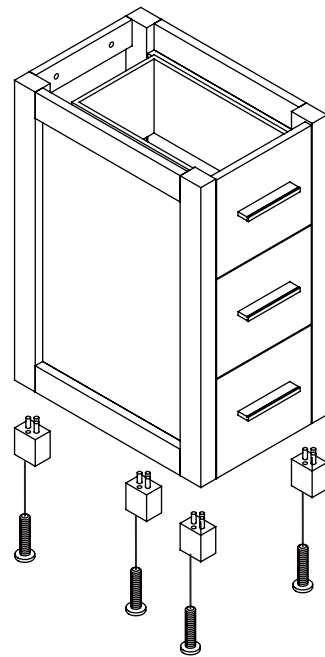
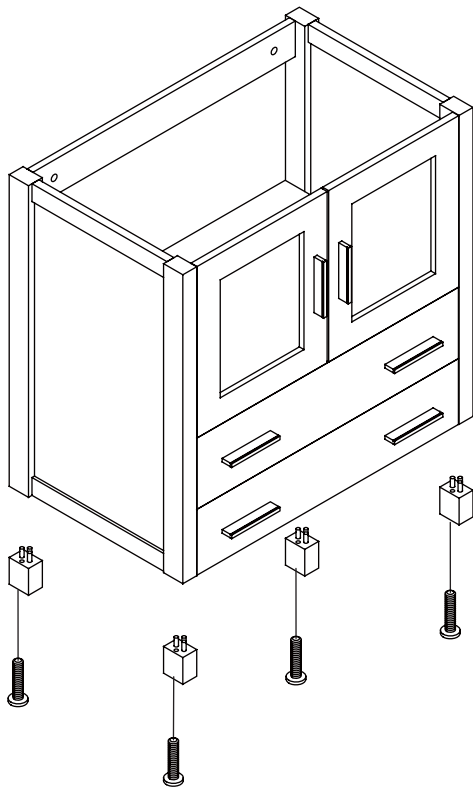
REMOVAL



INSTALLATION



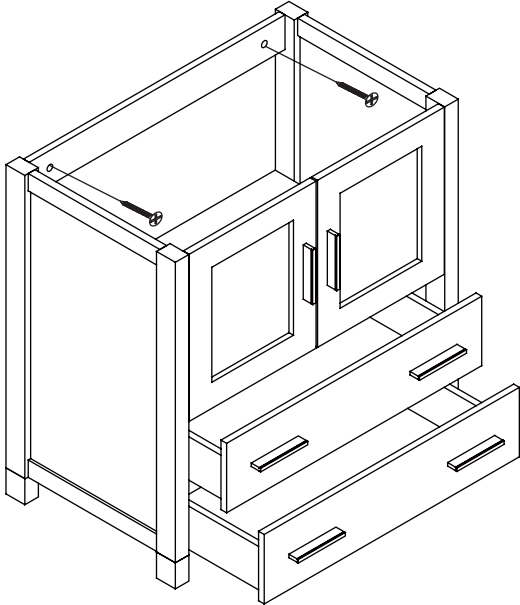
1 Install leg



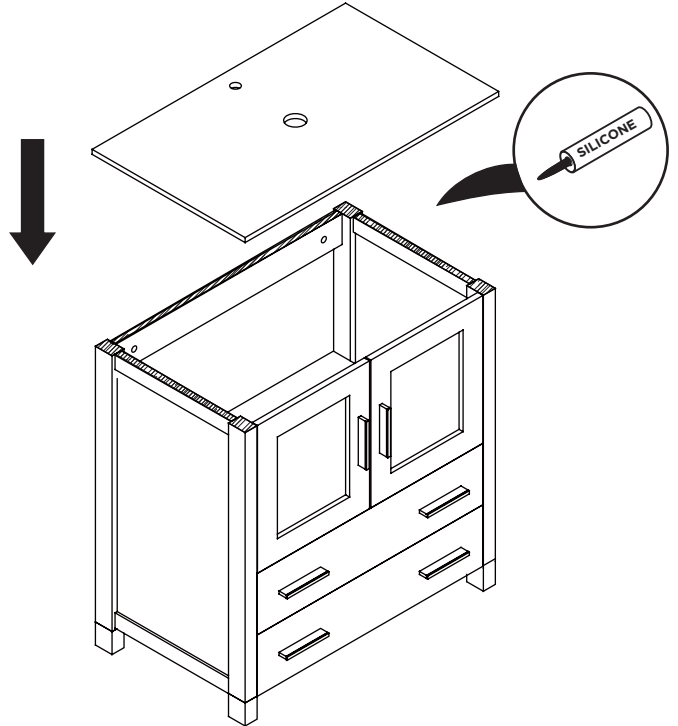
2 Remove drawer

3 Install cabinet

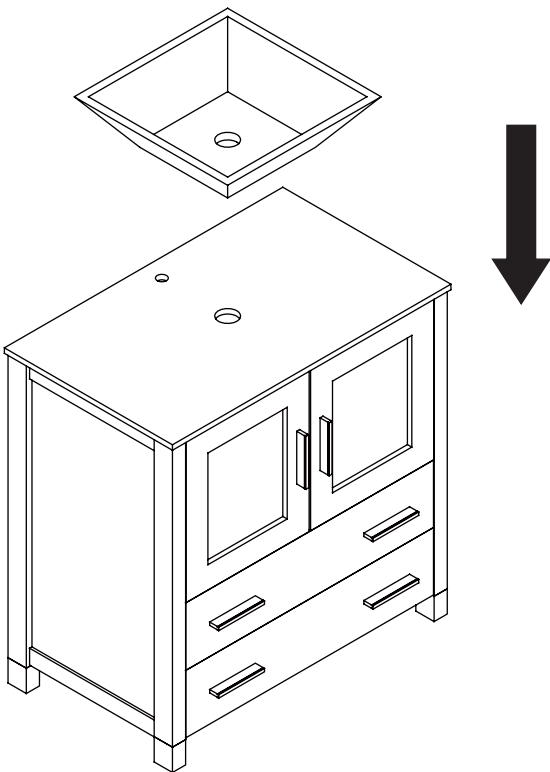
IMPORTANT: Consult an expert for the proper screws/bolts to use when attaching to various wall constructions. Screws provided do not attach to all wall construction types.



4 Install top panel

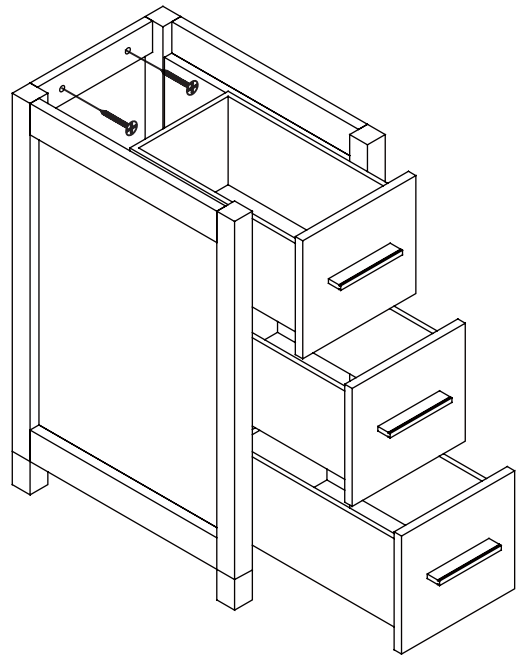


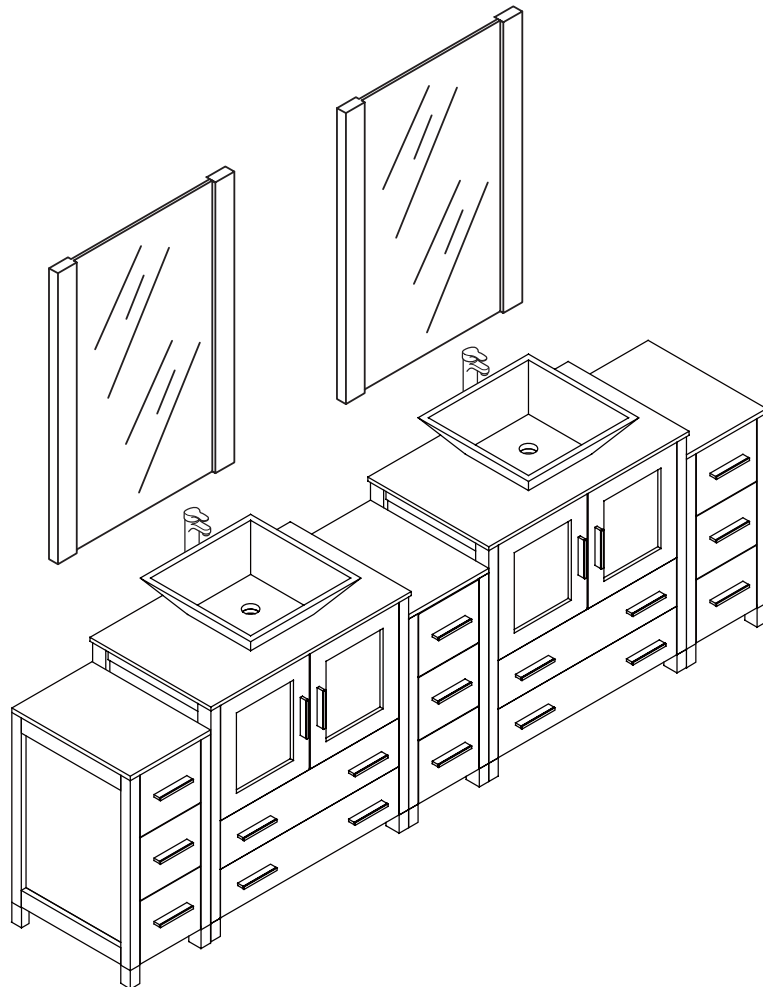
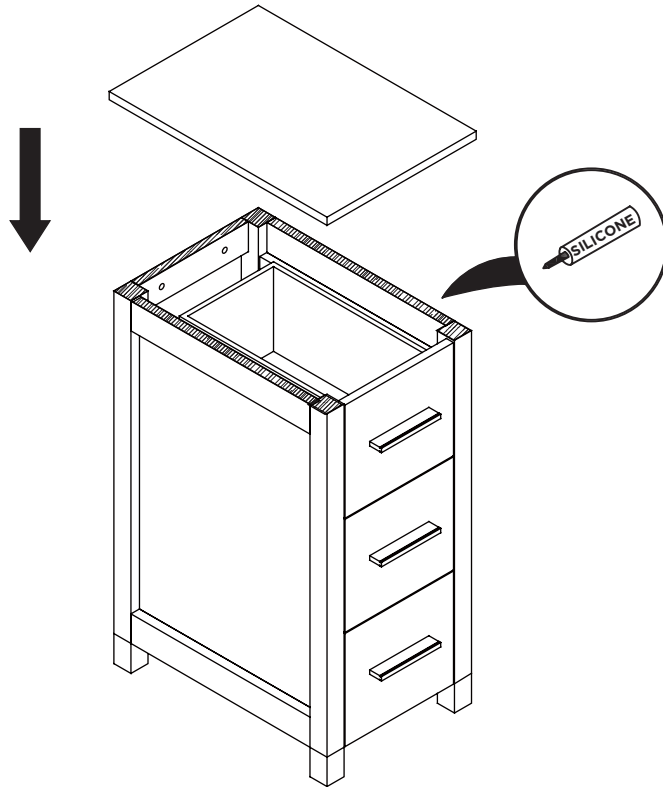
5 Install sink



6 Remove side cabinet drawer

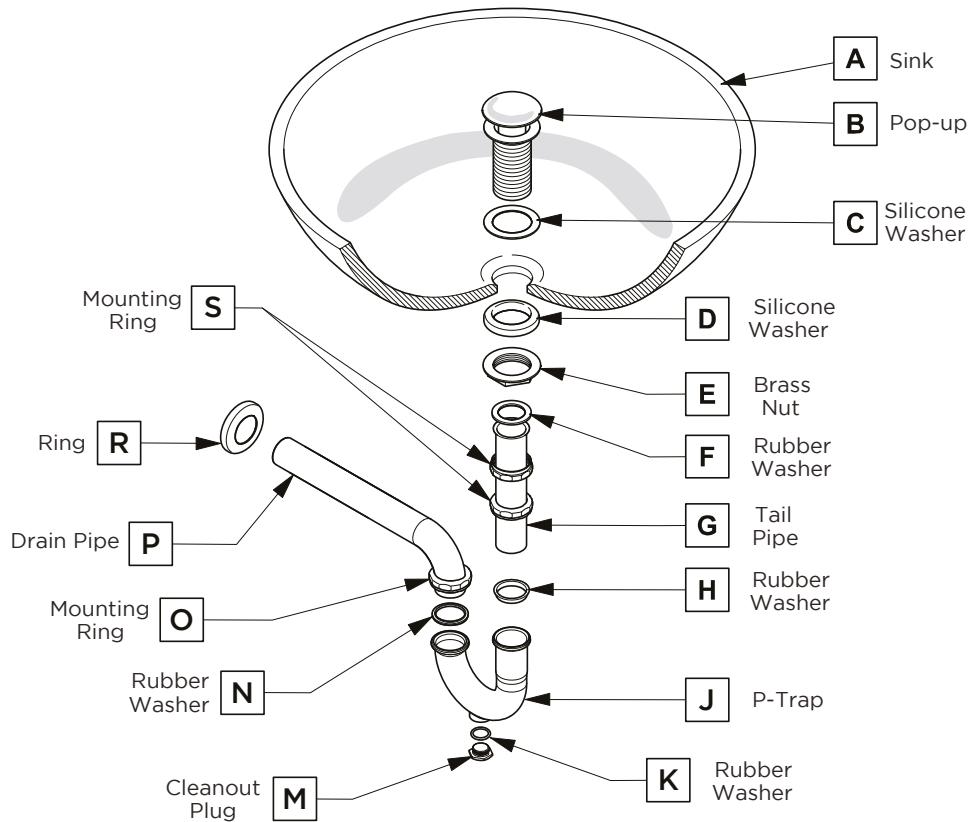
7 Install side cabinet





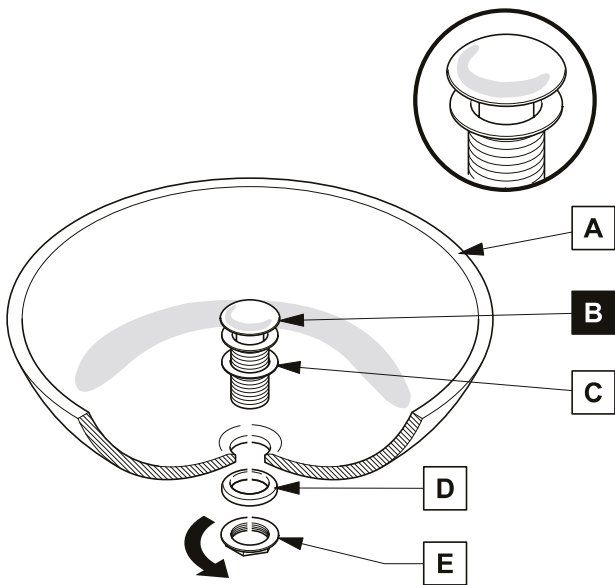
P-TRAP AND POP-UP INSTALLATION INSTRUCTIONS

Your item may appear slightly different from the illustration



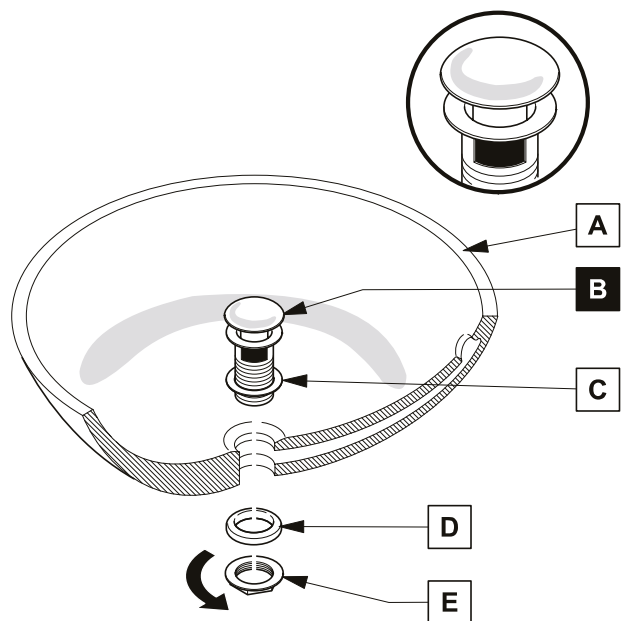
POP-UP INSTALLATION

FOR SINKS WITHOUT OVERFLOW



OR

FOR SINKS WITH OVERFLOW



TORINO

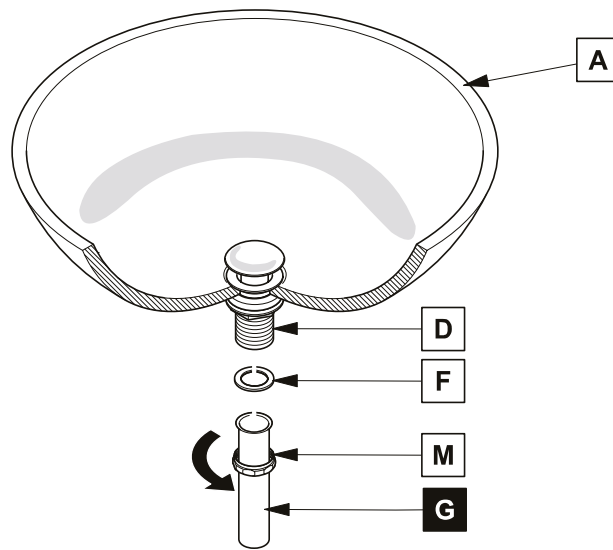
INSTALLATION GUIDE

PAGE 6

P-TRAP INSTALLATION

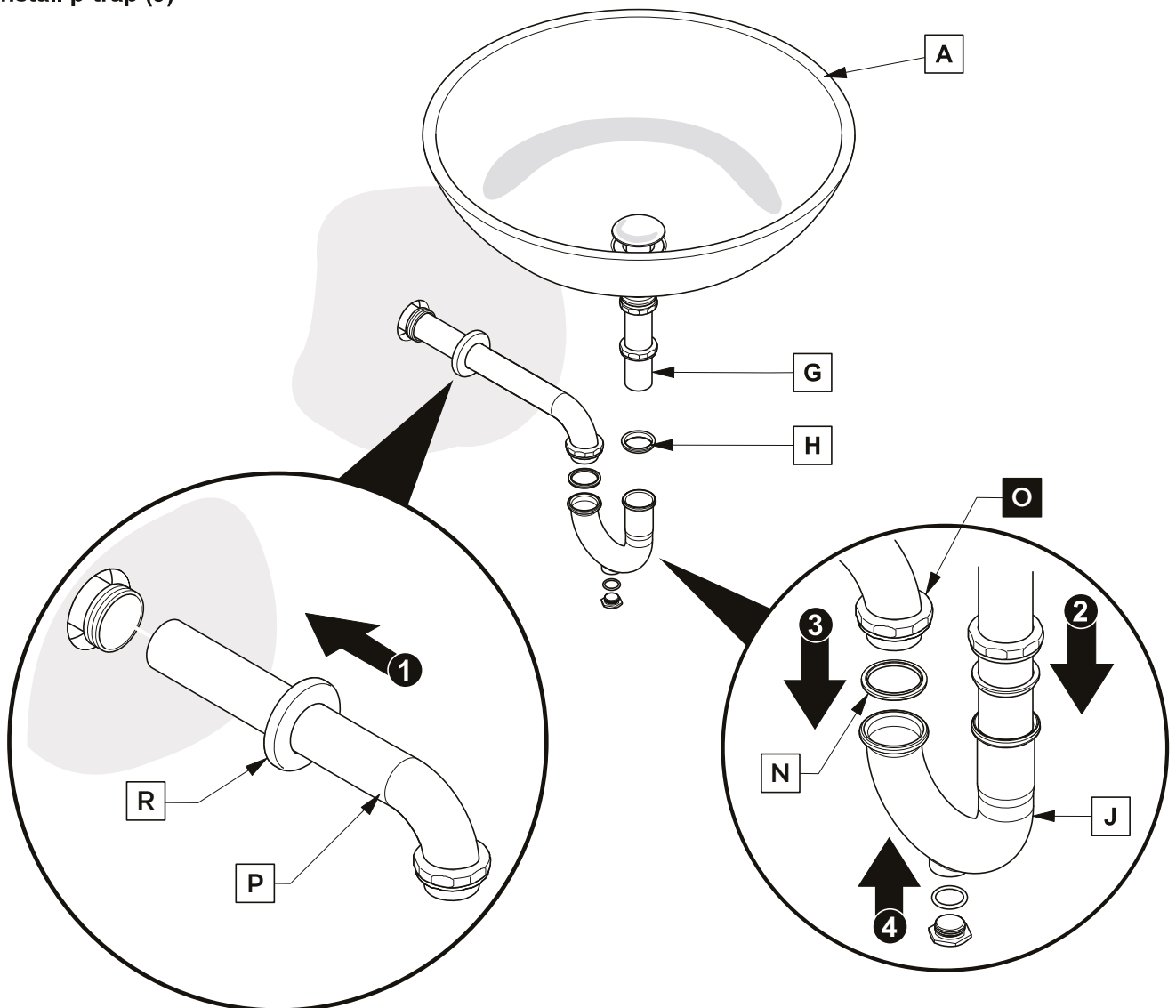
1

Install tail pipe (G)



2

Install p-trap (J)



TORINO

INSTALLATION GUIDE

PAGE 7