

JSS86SP

GE® 30" Slide-In Electric Convection Double Oven Range

DIMENSIONS AND INSTALLATION INFORMATION (IN INCHES)

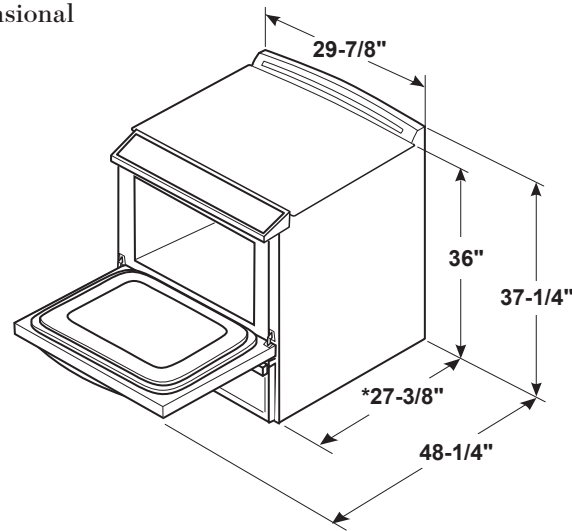
RECEPTACLE LOCATIONS: Locally approved flexible service cord or conduit must be used because terminals are not accessible after range installation. See shaded area in drawing for location of electrical outlet box. Recommended outlet locations allow range to be installed directly against rear wall.

NOTE: This appliance has been approved for 0" spacing to adjacent surfaces above the cooktop. However, a 6" minimum spacing to surfaces less than 15" above the cooktop and adjacent cabinet is recommended to reduce exposure to steam, grease splatter and heat.

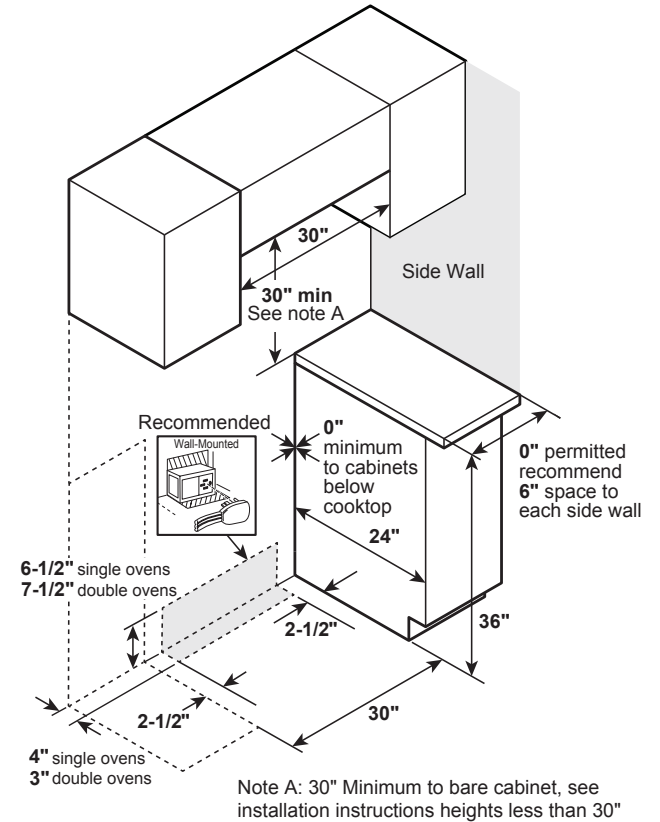
INSTALLATION INFORMATION: Before installing, consult installation instructions for current dimensional data and additional requirements

KW RATING	
240V	13.6
208V	10.2
BREAKER SIZE	
240V	40 Amps†
208V	40 Amps†

†NOTE: Check local codes for required breaker size.



*Depth including door handle is approximately 28-1/4".



For answers to your Monogram, GE Café™ Series, GE Profile™ Series or GE Appliances product questions, visit our website at geappliances.com or call GE Answer Center® Service, 800.626.2000.



All GE Appliances ranges are equipped with an Anti-Tip device. The installation of this device is an important, required step in the installation of the range.



JSS86SP

GE® 30" Slide-In Electric Convection Double Oven Range

FEATURES AND BENEFITS

Fit Guarantee – This electric range will fit your existing 30" cut-out, or GE Appliances will help pay for modifications up to \$300.

12"/9" Dual Element – A dual burner cooktop lets you choose between 12-inch and 9-inch electric elements for a more convenient cooking experience.

True Convection – Enjoy consistent baking thanks to an advanced convection system that pairs a third heating element with a rear fan for a high level of precision.

9"/6" Power Boil Element – A power boiler produces concentrated heat for rapid boiling in a flexible 9-inch/6-inch burner size, so you spend less time waiting and more time cooking.

Fifth Element Warming Zone – A convenient low-heat warming zone provides even temperature control for foods on the cooktop.

Fast Preheat – Preheat the oven quickly and cut down on preheat time with a speedy preheat feature.

Steam Clean – A steam cleaning option cleans the oven cavity in a 30-minute cycle with less odor and heat.

Hidden Baking Element – This oven features a hidden baking element that gets rid of hard-to-reach areas and makes cleanup easier.

Glass Touch Controls – Quickly set temperatures and make other oven adjustments thanks to sleek touch controls that are also easy to clean.

Large Capacity Double Oven – Cook an entire meal at once with a 6.7 cubic foot total capacity double oven which provides enough room for multiple dishes.

Model JSS86SPSS – Stainless Steel



Visit geappliances.com for more info

